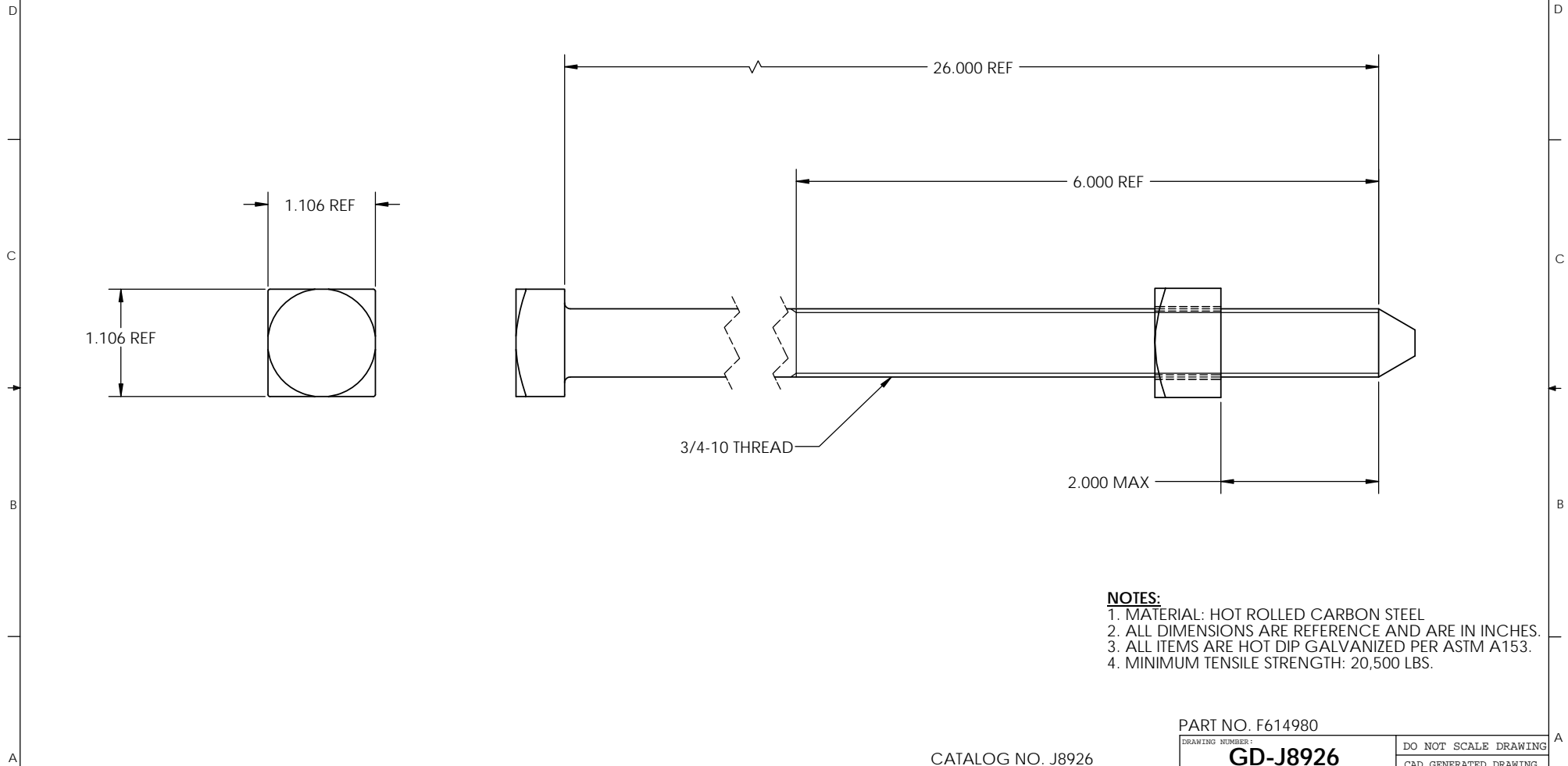


8 7 6 5 4 3 2 1

PAPER SIZE		DRAWING NUMBER	
B		GD-J8926	
REV	REVISED BY	REVISION DATE	ECO #
A	PDR	07-26-12	10675



- NOTES:**
1. MATERIAL: HOT ROLLED CARBON STEEL
 2. ALL DIMENSIONS ARE REFERENCE AND ARE IN INCHES.
 3. ALL ITEMS ARE HOT DIP GALVANIZED PER ASTM A153.
 4. MINIMUM TENSILE STRENGTH: 20,500 LBS.

This drawing contains confidential information that is the property of MacLean Power, L.L.C. ("MacLean"). Use of MacLean's confidential information without MacLean's express written consent is strictly prohibited and may expose you to legal liability. If you believe that you received this material in error, please destroy it or return it to "MacLean Power, L.L.C., 11411 Addison Street, Franklin Park, Illinois 60131, "USA."

UNLESS OTHERWISE SPECIFIED
DIMENSIONS ARE IN:

INCHES

TOLERANCES ARE:

XX	± XX
.XXX	± .XXX
X/XX	± X/XX
ANGLES	± X°

CATALOG NO. J8926

**MACLEAN
POWER
SYSTEMS**

11411 ADDISON STREET
FRANKLIN PARK, IL. 60131

TEL: (847) 455-0014 FAX: (847) 455-0029

PART NO. F614980

DRAWING NUMBER: GD-J8926	DO NOT SCALE DRAWING
SHEET NAME: Sheet1	1 OF 1
DRAWING DESCRIPTION: BOLT MACH 3/4 X 26	DESIGN DATE: 07/26/12
DRAWING SCALE: 1:1	DRAWN BY: PDR
	ENGINEER: RRL
	APPROVED: JBB

8 7 6 5 4 3 2 1