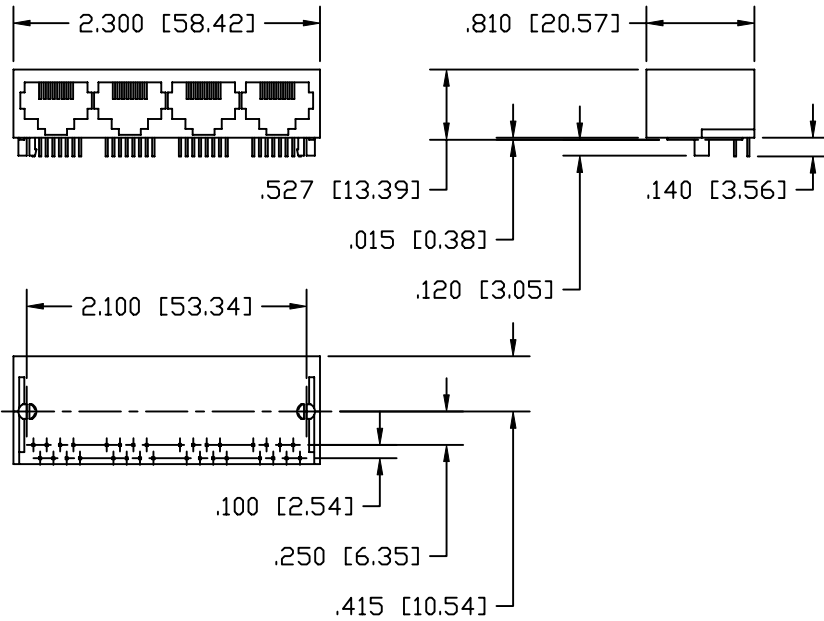


1	2	3	4	5
COMPONENT SPECIFICATION	USE OR REPRODUCTION OF THIS DRAWING FOR THE PURPOSE OF MANUFACTURING THIS ARTICLE OR ANY ARTICLES SHOWN FOR ANY PURPOSE IS STRICTLY PROHIBITED WITHOUT WRITTEN PERMISSION FROM SENIOR INDUSTRIES, INC.		SPECIFICATIONS	



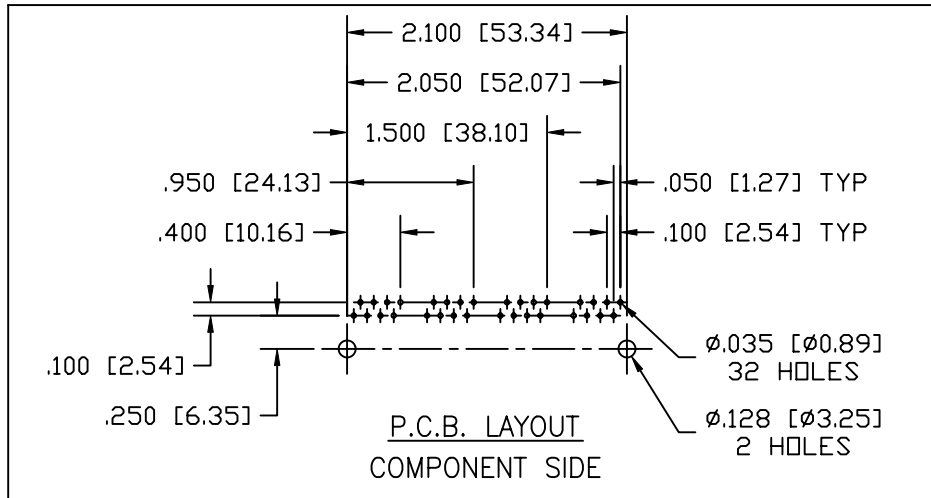
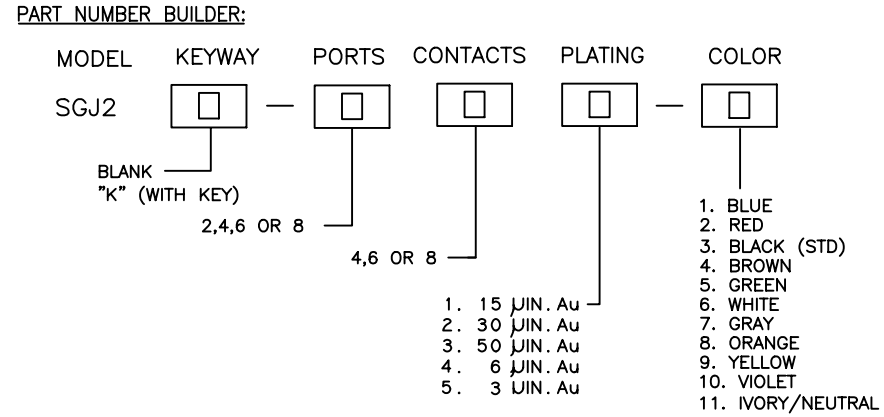
ELECTRICAL:
 CONTACT RATING: 1.5A AT 125 VAC
 CONTACT RESISTANCE: 30 MILLIOHMS MAX.
 INSULATION RESISTANCE: 500 MEGOHMS MIN. AT 500 VDC
 DIELECTRIC STRENGTH: 1000 VRMS FOR 1 MINUTE

MECHANICAL:
 LIFE: 750 CYCLES MIN.

ENVIRONMENTAL:
 OPERATING TEMPERATURE: 0°C TO +70°C
 STORAGE TEMPERATURE: -40°C TO +85°C

MATERIAL:
 HOUSING: GLASS FILLED POLYESTER, UL94V-0
 TERMINALS: PHOSPHOR BRONZE, 0.35t
 PLATING: CONTACT AREA - SELECTIVE GOLD PLATING OVER NICKEL OVER TIN
 TERMINATION AREA - 100 µIN TIN OVER 100 µIN NICKEL

REGULATORY:
 UL RECOGNIZED COMPONENT. UL FILE NO. E147880.



DESIGNED:			SYM.	DATE:	DESCRIPTION OF REVISIONS:	DRAWN:	APPD:	TOLERANCE:	PART NO:	SGJ2-XXX-X	
DRAWN:	HV	03/06/00		04.30.99	NEW	TF	JF				TO 1 DECIMAL PLACE: ±.3 TO 2 DECIMAL PLACES: ±.12
CHECKED:	TF	03/07/06		03.31.00	Updated specifications	RB	JF	AS ANGLES: ±1/2°	SHEET:	1 OF 1	
APPROVED:	TF	03/07/06		03.02.06	New index, Lead rem'd fr term pl area, UL rating	GAT	JF				
3RD ANGLE			UNIT:	IN[mm]	SCALE:	1:1	REV.	C			