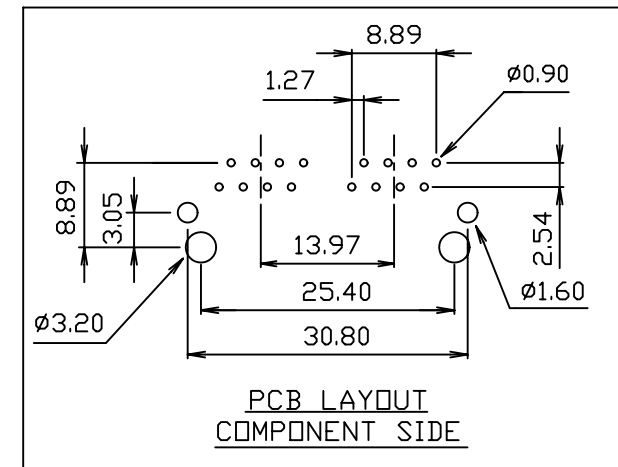
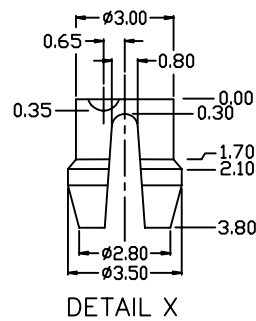
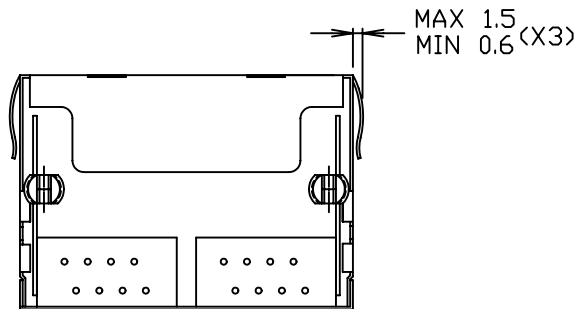
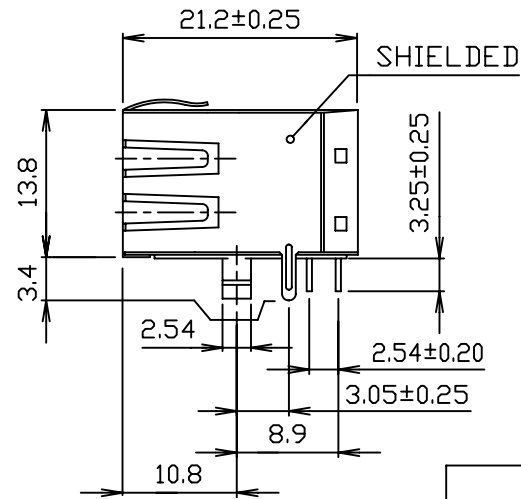
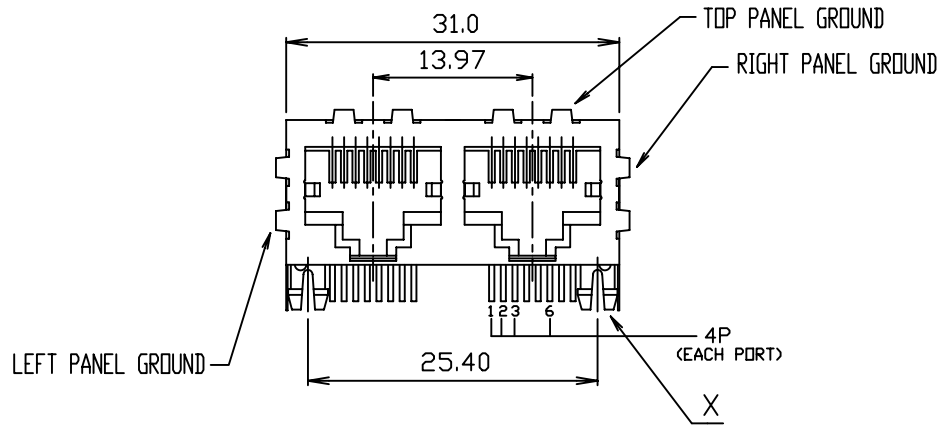


COMPONENT SPECIFICATION

USE OR REPRODUCTION OF THIS DRAWING FOR THE PURPOSE OF MANUFACTURING THIS ARTICLE OR ANY ARTICLES SHOWN FOR ANY PURPOSE IS STRICTLY PROHIBITED WITHOUT WRITTEN PERMISSION FROM SENIOR INDUSTRIES, INC.



DESIGNED:			SYM.	DATE:	DESCRIPTION OF REVISIONS:	DRAWN:	APPD:	TOLERANCE:	PART NO:	TITLE:
DRAWN:	GAT	02/23/05	▲	02.23.05	NEW	GAT	JF			
CHECKED:	GAT	02/23/05	▲	.	.			TO 2 DECIMAL PLACES: ±.13		
APPROVED:	JF	02/23/05	▲	.	.			AS ANGLES: ±1/2°	SHEET:	1 OF 2
3RD ANGLE		UNIT: mm		SCALE:		REV: A				

1

2

3

4

5

COMPONENT SPECIFICATION

USE OR REPRODUCTION OF THIS DRAWING FOR THE PURPOSE OF MANUFACTURING THIS ARTICLE OR ANY ARTICLES SHOWN FOR ANY PURPOSE IS STRICTLY PROHIBITED WITHOUT WRITTEN PERMISSION FROM SENIOR INDUSTRIES, INC.

SPECIFICATIONS

ELECTRICAL:

CONTACT RATING: 1.5A AT 125 VAC
CONTACT RESISTANCE: 30 MILLIOHMS MAX.
INSULATION RESISTANCE: 500 MEGOHMS MIN. AT 500 VDC
DIELECTRIC STRENGTH: 1000 VRMS FOR 1 MINUTE

MECHANICAL:

LIFE: 750 CYCLES MIN.

ENVIRONMENTAL:

OPERATING TEMPERATURE: 0°C TO 70°C
STORAGE TEMPERATURE: -40°C TO +85°C

MATERIAL:

HOUSING: PBT POLYESTER UL94V-0, W/GLASS
CONTACTS: 0.45mm DIA. ROUND CONTACTS, PHOS-BRONZE PLATED WITH GOLD.
MATEL SHIELD: 0.25mm THICK COPPER ALLOY, PLATED WITH NICKEL.
CAVITY CONFORMS TO FCC RULES AND REGULATIONS PART 68, SUBPART F.

PART NUMBER BUILDER:

MODEL CONTACTS PLATING COLOR
SGJ3A - 2 [] [] - []
0 = 8 CONTACTS
1 = 6 CONTACTS
2 = 4 CONTACTS
1. 15 μIN. Au
2. 30 μIN. Au
3. 50 μIN. Au
4. 6 μIN. Au
5. 3 μIN. Au
1. = BLUE
2. = RED
3. = BLACK (STD)
4. = BROWN
5. = GREEN
6. = WHITE
7. = GRAY
8. = ORANGE
9. = YELLOW
10.= VIOLET
11.= IVORY/NEUTRAL



SENIOR INDUSTRIES, INC.

Table with columns for DESIGNED, DRAWN, CHECKED, APPROVED, SYM., DATE, DESCRIPTION OF REVISIONS, DRAWN, APPD, TOLERANCE, PART NO, TITLE, SHEET, 3RD ANGLE, UNIT, SCALE, REV, AS ANGLES.