

COMPONENT SPECIFICATION

USE OR REPRODUCTION OF THIS DRAWING FOR THE PURPOSE OF MANUFACTURING THIS ARTICLE OR ANY ARTICLES SHOWN FOR ANY PURPOSE IS STRICTLY PROHIBITED WITHOUT WRITTEN PERMISSION FROM SENIOR INDUSTRIES, INC.

SPECIFICATIONS

ELECTRICAL:

CONTACT RATING: 1.5A AT 125 VAC
 CONTACT RESISTANCE: 30 MILLIOHMS MAX.
 INSULATION RESISTANCE: 500 MEGOHMS MIN. AT 500 VDC
 DIELECTRIC STRENGTH: 1000 VRMS FOR 1 MINUTE

MECHANICAL:

LIFE: 750 CYCLES MIN.

ENVIRONMENTAL:

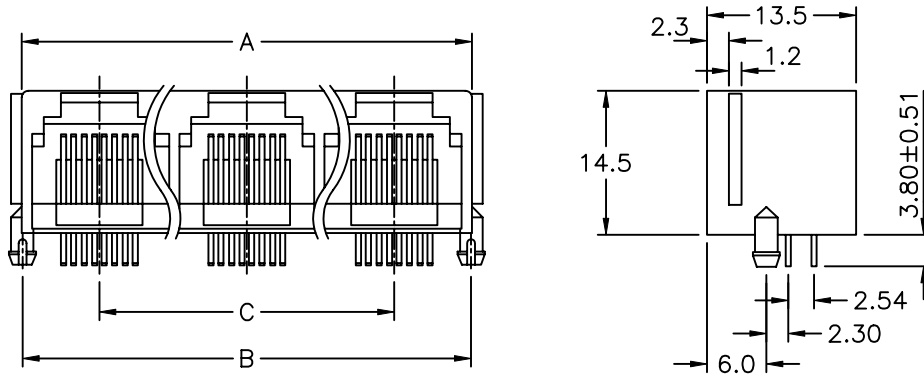
OPERATING TEMPERATURE: 0°C TO +70°C
 STORAGE TEMPERATURE: -40°C TO +85°C

MATERIAL:

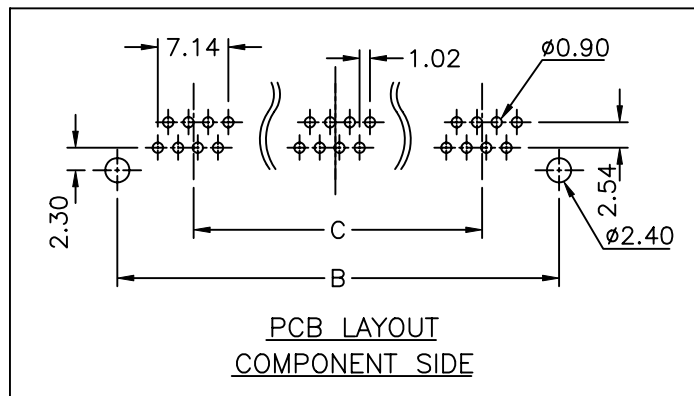
HOUSING: GLASS FILLED POLYESTER, UL94V-0
 TERMINALS: PHOSPHOR BRONZE, 0.35t
 PLATING: CONTACT AREA - SELECTIVE GOLD PLATING OVER NICKEL OVER TIN
 TERMINATION AREA - 100 µIN TIN OVER NICKEL

PART NUMBER BUILDER:

MODEL	KEYWAY	PORTS	CONTACTS	PLATING	COLOR
SGJ7					
	BLANK "K" (WITH KEY)	2 THROUGH 8	0 = 8 CONTACTS 1 = 6 CONTACTS 2 = 4 CONTACTS		1. BLUE 2. RED 3. BLACK (STD) 4. BROWN 5. GREEN 6. WHITE 7. GRAY 8. ORANGE 9. YELLOW 10. VIOLET 11. IVORY/NEUTRAL



DIMENSION	NO. OF PORT						
	2	3	4	5	6	7	8
A	32.0	46.5	61.0	75.5	90.0	104.5	119.0
B	30.00	44.50	59.00	73.50	88.00	102.5	117.0
C	14.50	29.00	43.50	58.00	72.50	87.00	101.5



DESIGNED:			SYM.	DATE:	DESCRIPTION OF REVISIONS:	DRAWN:	APPD:
DRAWN:	RJT	01/12/01	▲	03.07.01	NEW	RB	JF
CHECKED:	GAT	03/03/06	▲	08.09.05	New Index, PN Builder Corrected, 'Lead' rem'd	KO	JF
APPROVED:	JF	03/03/06	▲	.	.		
			▲	.	.		

TOLERANCE:	PART NO:	SGJ7-XXX-X
TO 1 DECIMAL PLACE: ±.3	TITLE:	MODULAR JACK
TO 2 DECIMAL PLACES: ±.15	SHEET:	1 OF 1
AS ANGLES: ±1/2°		

3RD ANGLE		UNIT:	mm	SCALE:	2:1	REV:	B
-----------	--	-------	----	--------	-----	------	---