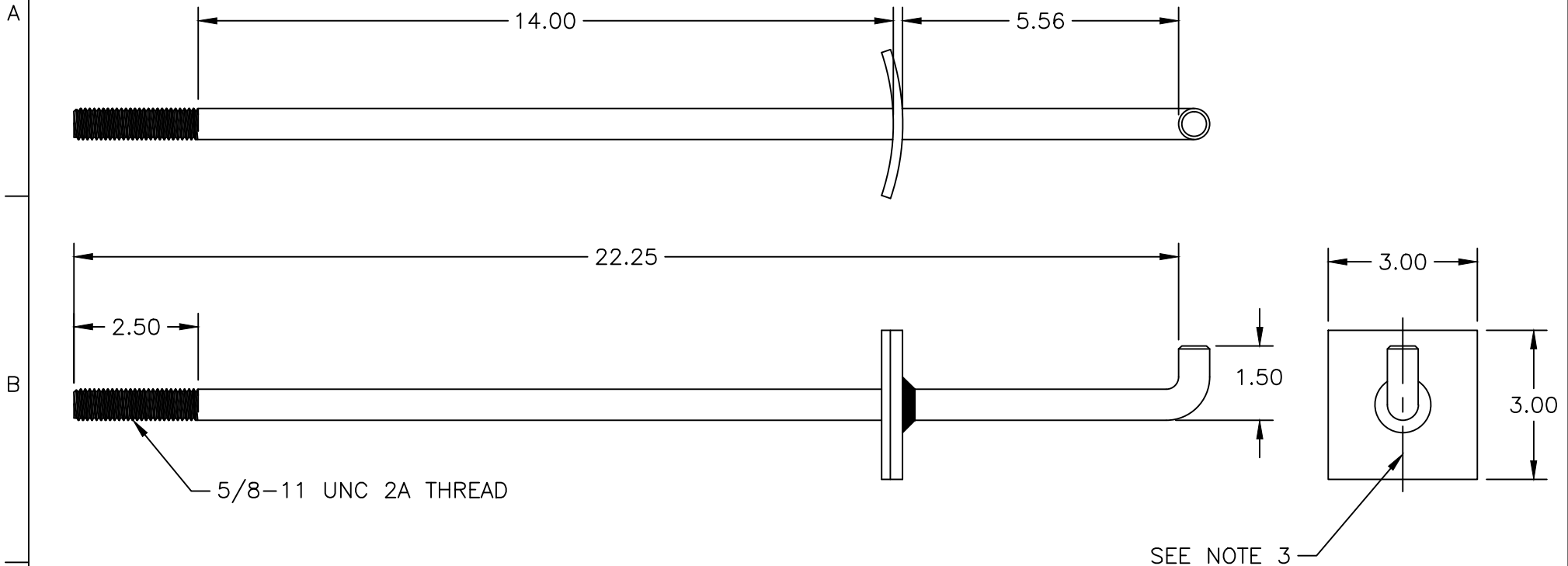


1	2	3	4	5
COMPONENT SPECIFICATION	USE OR REPRODUCTION OF THIS DRAWING FOR THE PURPOSE OF MANUFACTURING THIS ARTICLE OR ANY ARTICLES SHOWN FOR ANY PURPOSE IS STRICTLY PROHIBITED WITHOUT WRITTEN PERMISSION FROM SENIOR INDUSTRIES, INC.			



NOTES

1. MATERIAL: MILD STEEL
2. FINISH: HOT DIP GALVANIZED PER ASTM A153



SENIOR INDUSTRIES, INC.

DESIGNED:			SYM.	DATE:	DESCRIPTION OF REVISIONS:	DRAWN:	APPD:	TOLERANCE:	PART NO:	SI-0037
DRAWN:	GAT	01/07/10	▲	01.07.10	NEW	GAT	JF			
CHECKED:	GAT	01/07/10	▲	11.10.10	Chang'd finish: hot dip galvanize per ASTM A153	MAW	JF	TO 3 DECIMAL PLACES: ±	SHEET:	1 OF 1
APPROVED:	JF	01/07/10	▲	08.12.13	Updated drawing to depict curved washer	MAW	JF			
3RD ANGLE		UNIT:	inches	SCALE:	1:3	REV.	C			