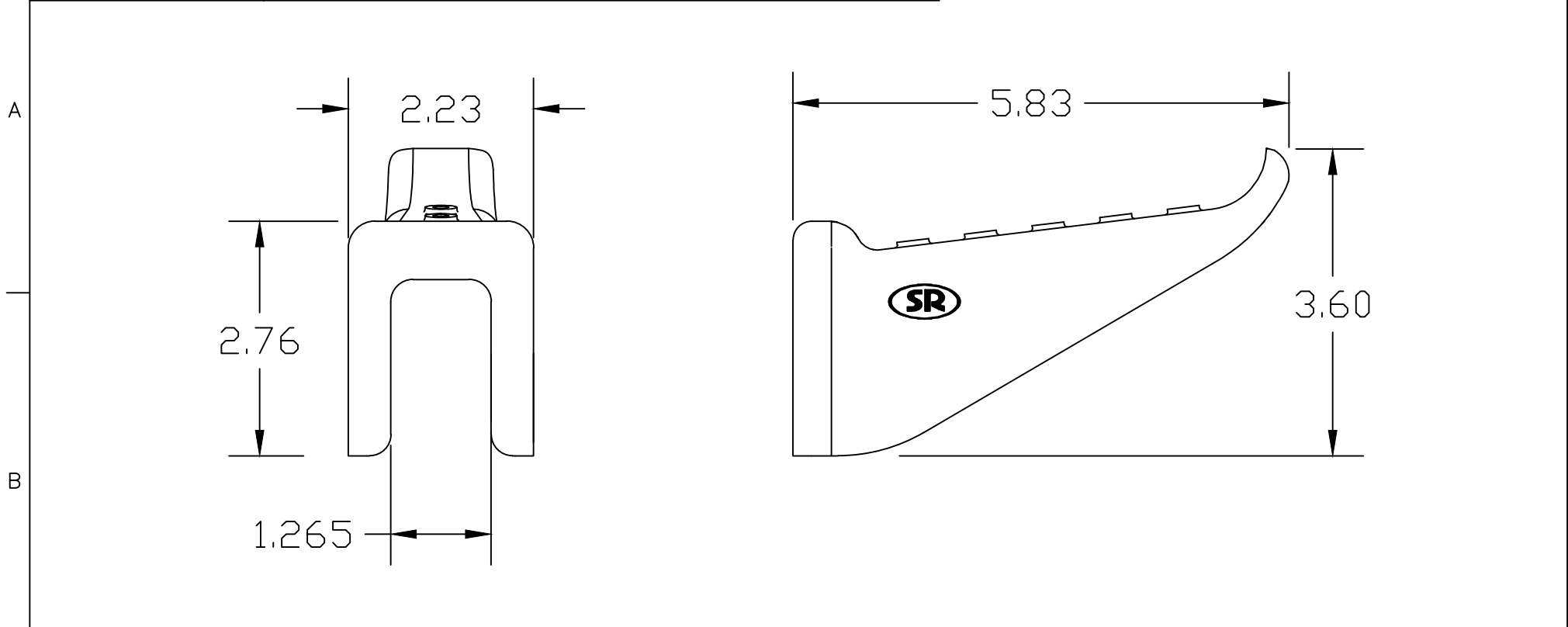


1	2	3	4	5
COMPONENT SPECIFICATION	USE OR REPRODUCTION OF THIS DRAWING FOR THE PURPOSE OF MANUFACTURING THIS ARTICLE OR ANY ARTICLES SHOWN FOR ANY PURPOSE IS STRICTLY PROHIBITED WITHOUT WRITTEN PERMISSION FROM MACLEAN SENIOR INDUSTRIES, LLC			



MATERIAL: COLD ROLLED STEEL
 FINISH: HOT DIP GALVANIZED PER ASTM A153



DESIGNED:			SYM.	DATE:	DESCRIPTION OF REVISIONS:	DRAWN:	APPD:	TOLERANCE:	PART NO:	SI-0047
DRAWN:	MAW	06/06/2014	△	06.06.2014	NEW	MAW	JF			
CHECKED:	MAW	06/06/2014	△	.	.			TO 2 DECIMAL PLACES: ±	TITLE:	REMOVABLE POLE STEP
APPROVED:	JF	06/06/2014	△	.	.			TO 3 DECIMAL PLACES: ±		
3RD ANGLE		UNIT:	inches	SCALE:	1:2	REV.	A	AS ANGLES: ±	SHEET:	1 OF 1