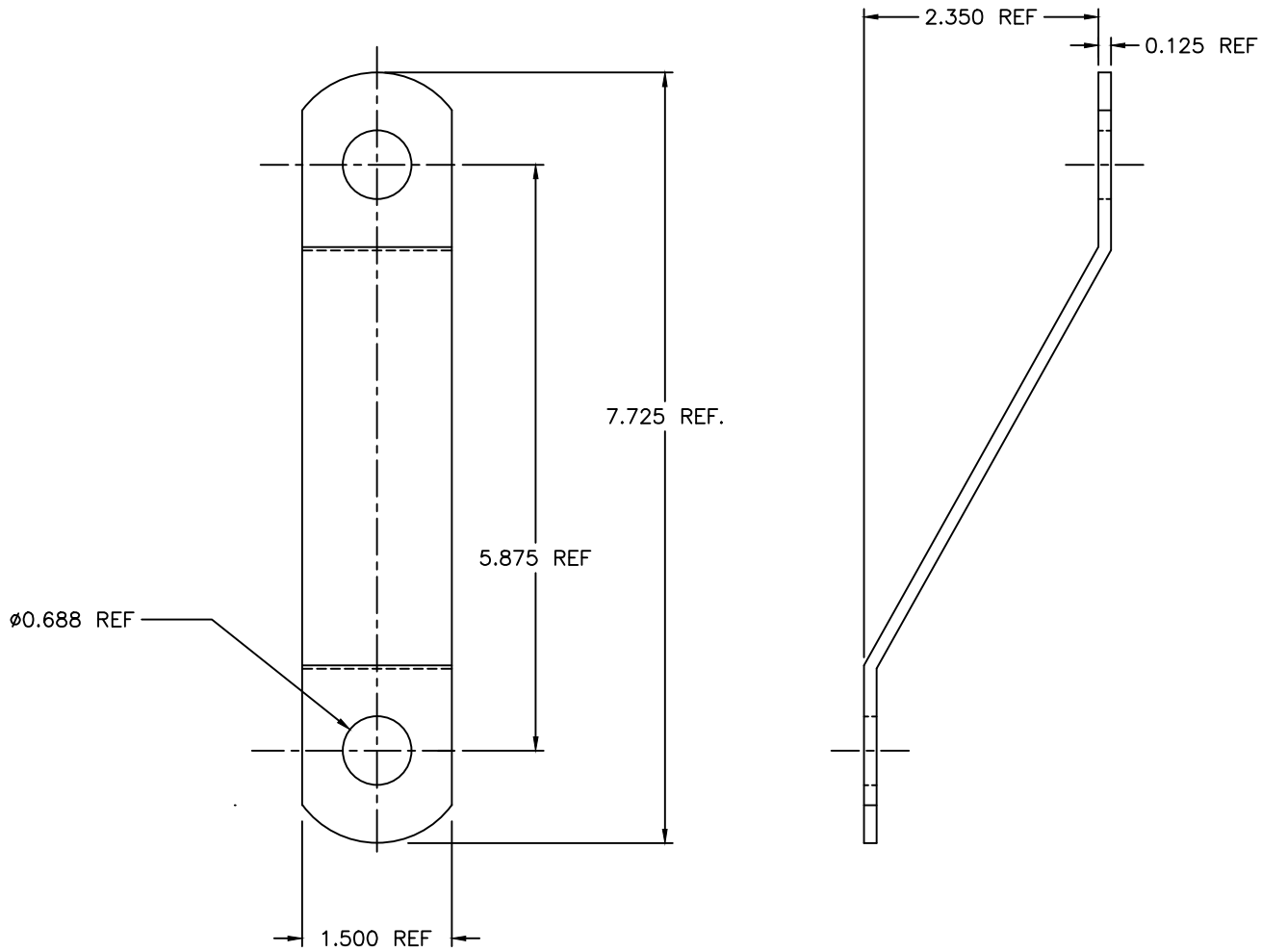


COMPONENT SPECIFICATION

USE OR REPRODUCTION OF THIS DRAWING FOR THE PURPOSE OF MANUFACTURING THIS ARTICLE OR ANY ARTICLES SHOWN FOR ANY PURPOSE IS STRICTLY PROHIBITED WITHOUT WRITTEN PERMISSION FROM SENIOR INDUSTRIES, INC.



GENERAL NOTES:

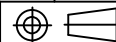
- 1. MATERIAL: MILD STEEL
- 2. FINISH: MECHANICALLY PLATED



SENIOR INDUSTRIES, INC.

DESIGNED:			SYM.	DATE:	DESCRIPTION OF REVISIONS:	DRAWN:	APPD:	TOLERANCE:	PART NO:	SI-0088A
DRAWN:	MAW	12/23/11	▲	12.23.11	NEW	MAW	JF			
CHECKED:	MAW	12/23/11	▲	. .				TO 2 DECIMAL PLACE: ±	TITLE:	TYPE 'S' REINFORCING STRAP
APPROVED:	JF	12/23/11	▲	. .				TO 3 DECIMAL PLACES: ±		
			▲	. .				AS ANGLES: ±	SHEET:	1 OF 1

3RD ANGLE



UNIT: IN

SCALE: 1:1

REV: A

AS ANGLES: ±

SHEET:

1 OF 1