

COMPONENT SPECIFICATION

USE OR REPRODUCTION OF THIS DRAWING FOR THE PURPOSE OF MANUFACTURING THIS ARTICLE OR ANY ARTICLES SHOWN FOR ANY PURPOSE IS STRICTLY PROHIBITED WITHOUT WRITTEN PERMISSION FROM SENIOR INDUSTRIES, INC.

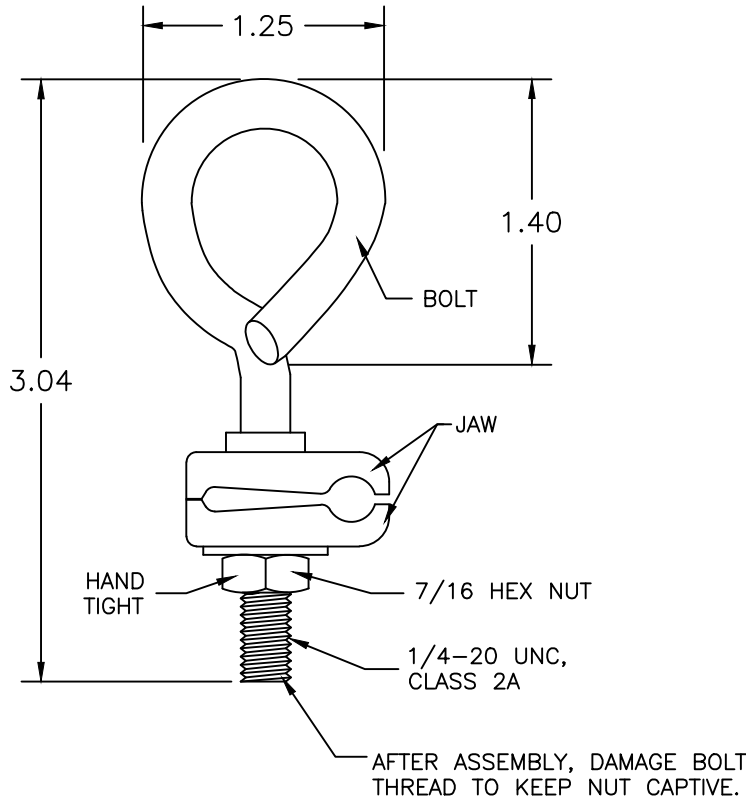
SPECIFICATIONS:

MECHANICAL:

RANGE: 1/4" TO 7/16" MESSENGER STRAND  
 STRENGTH: ASSEMBLED CLAMP SHALL WITHSTAND 12 FT-LBS MINIMUM TORQUE WITHOUT FAILURE WITH A .231" DIAMETER MANDREL PLACED IN THE JAW GROOVES.

MATERIAL:

ALL COMPONENTS: STEEL, GALVANIZED.  
 BOLT DIAMETER: 1/4"



DESIGNED:			SYM.	DATE:	DESCRIPTION OF REVISIONS:	DRAWN:	APPD:	TOLERANCE:	PART NO:	SI-0513
DRAWN:	GAT	07/14/08	▲	07.14.08	NEW	GAT	JF			
CHECKED:	GAT	07/14/08	▲	09.27.16	Include maximum installation torque	MAW	JF	TO 3 DECIMAL PLACES: ±	SHEET:	1 OF 1
APPROVED:	JF	07/14/08	▲	.	.			AS ANGLES: ±		
3RD ANGLE		UNIT:	IN	SCALE:	2:1	REV.	B			