

The MSI Experience...



...When Support Counts!

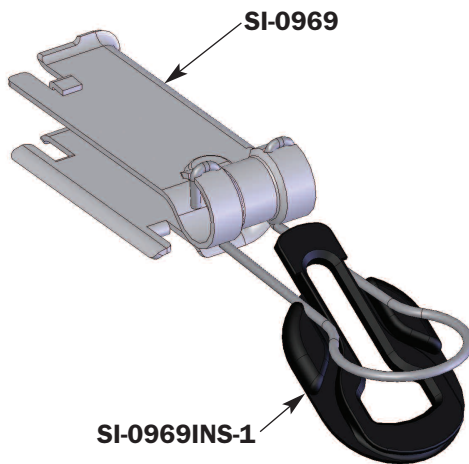
MACLEAN SENIOR INDUSTRIES

PRODUCT APPLICATION BULLETIN

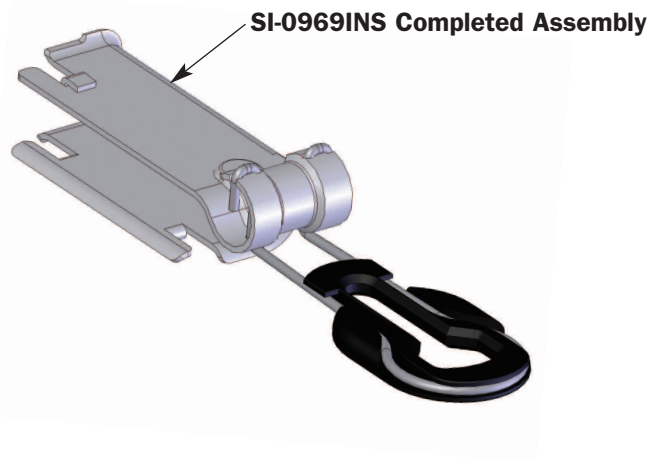
Insulating Ring - SI-0969INS (Patented)

Insulating Ring Installation

Step 1



Step 2



Insulated Messenger Drop Clamp Applications



For technical assistance or to request samples, please call 800-350-1650

MacLean Senior Industries, LLC

610 Pond Drive, Wood Dale, IL 60191

Phone: 800-350-1650 • Fax: 630-350-1654

Web: www.macleanseniorindustries.com • E-mail: sales@seniorindustries.com

© MacLean Senior Industries, LLC All rights reserved.

