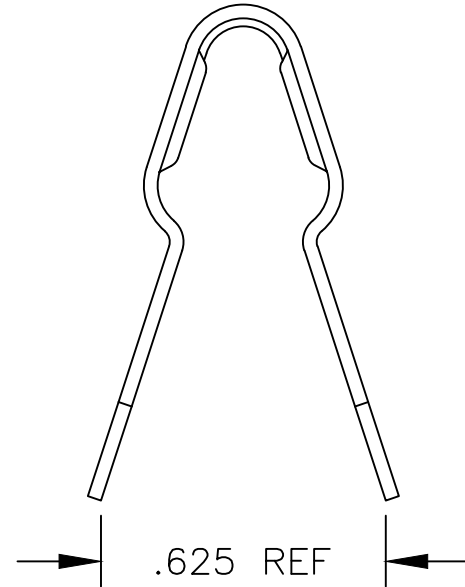
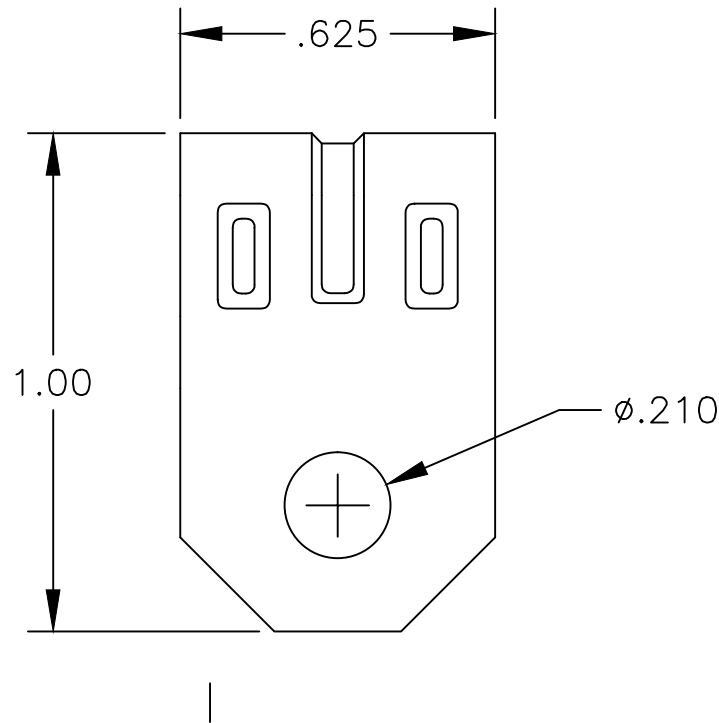


COMPONENT SPECIFICATION

USE OR REPRODUCTION OF THIS DRAWING FOR THE PURPOSE OF MANUFACTURING THIS ARTICLE OR ANY ARTICLES SHOWN FOR ANY PURPOSE IS STRICTLY PROHIBITED WITHOUT WRITTEN PERMISSION FROM SENIOR INDUSTRIES, INC.



NOTES:

1. MATERIAL: .026" MILD STEEL
2. FINISH: MECHANICALLY PLATED PER ASTM B695
3. FOR USE WITH 2 PAIR DROP CABLE



SENIOR INDUSTRIES, INC.

DESIGNED:			SYM.	DATE:	DESCRIPTION OF REVISIONS:	DRAWN:	APPD:	TOLERANCE:	PART NO:	SI-0987
DRAWN:	MAW	03/22/19	▲	03.22.19	NEW	MAW	MAW		TO 2 DECIMAL PLACE: ±	TITLE:
CHECKED:	MAW	03/22/19	▲	.	.			TO 3 DECIMAL PLACES: ±	SHEET:	1 OF 1
APPROVED:	MAW	03/22/19	▲	.	.			AS ANGLES: ±		
3RD ANGLE		UNIT:	inches	SCALE:		REV.	A			