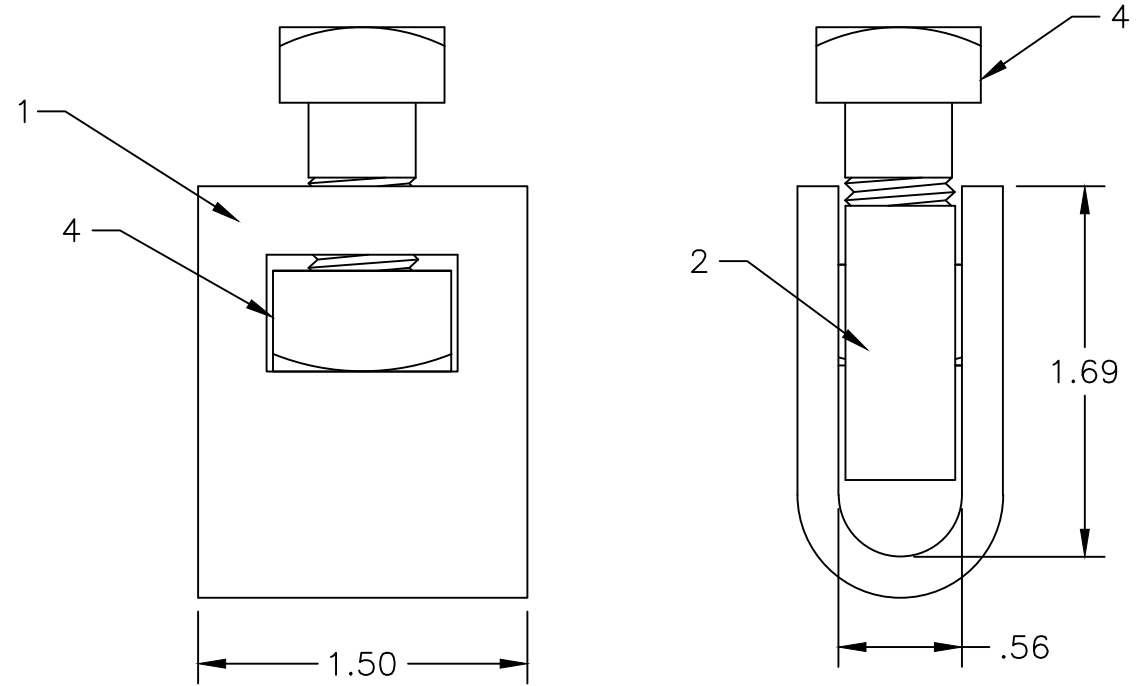


1	2	3	4	5
COMPONENT SPECIFICATION	USE OR REPRODUCTION OF THIS DRAWING FOR THE PURPOSE OF MANUFACTURING THIS ARTICLE OR ANY ARTICLES SHOWN FOR ANY PURPOSE IS STRICTLY PROHIBITED WITHOUT WRITTEN PERMISSION FROM MACLEAN SENIOR INDUSTRIES, LLC			

A

B

C



ITEM	QUANTITY	DESCRIPTION
1	1	CLAMP BODY
2	1	KEEPER INSERT
3	1	.500 X 1.50 MACHINE BOLT
4	1	.500 SQUARE NUT

ALL ITEMS HOT DIP GALVANIZED



DESIGNED:			SYM.	DATE:	DESCRIPTION OF REVISIONS:	DRAWN:	APPD:	TOLERANCE:	PART NO:	SI-1630
DRAWN:	MAW	11/16/10	▲	11.16.10	Drafted CAD assembly	MAW	JF			
CHECKED:	JF	11/16/10	▲	.	.			TO 3 DECIMAL PLACES: ±	SHEET:	1 OF 1
APPROVED:	JF	11/16/10	▲	.	.			AS ANGLES: ±		
3RD ANGLE		UNIT:	inches	SCALE:	1:1	REV.	A			