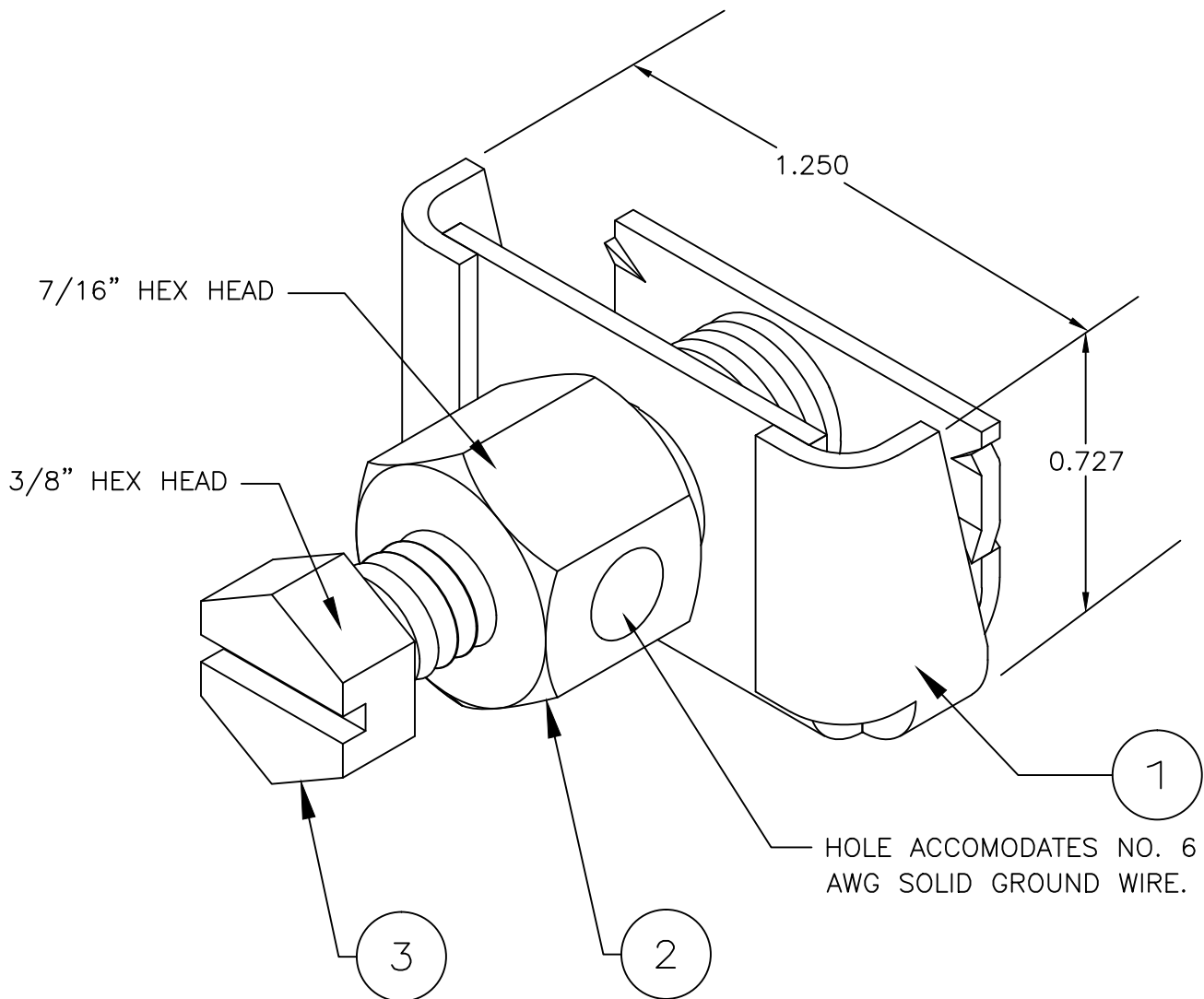


USE OR REPRODUCTION OF THIS DRAWING FOR THE PURPOSE OF MANUFACTURING THIS ARTICLE OR ANY ARTICLES SHOWN FOR ANY PURPOSE IS STRICTLY PROHIBITED WITHOUT WRITTEN PERMISSION FROM SENIOR INDUSTRIES, INC.

CUSTOMER SPECIFICATION DRAWING



3	SCREW
2	STUD
1	BRACKET
ITEM	DESCRIPTION

**NOTES:**

- MATERIAL: BRACKET – STEEL, GRAY POWDER COAT.  
STUD – 300 SERIES STAINLESS STEEL.  
SCREW – 18-8 STAINLESS STEEL.
- ALL EDGES ARE SMOOTH AND FREE FROM BURRS.



TITLE: METER BOX CLAMP

PART NO: SI-2167

DATE: 08/02/97

DRAWN: H V

REV: B

SCALE: N/A

SHEET: 1 OF 1