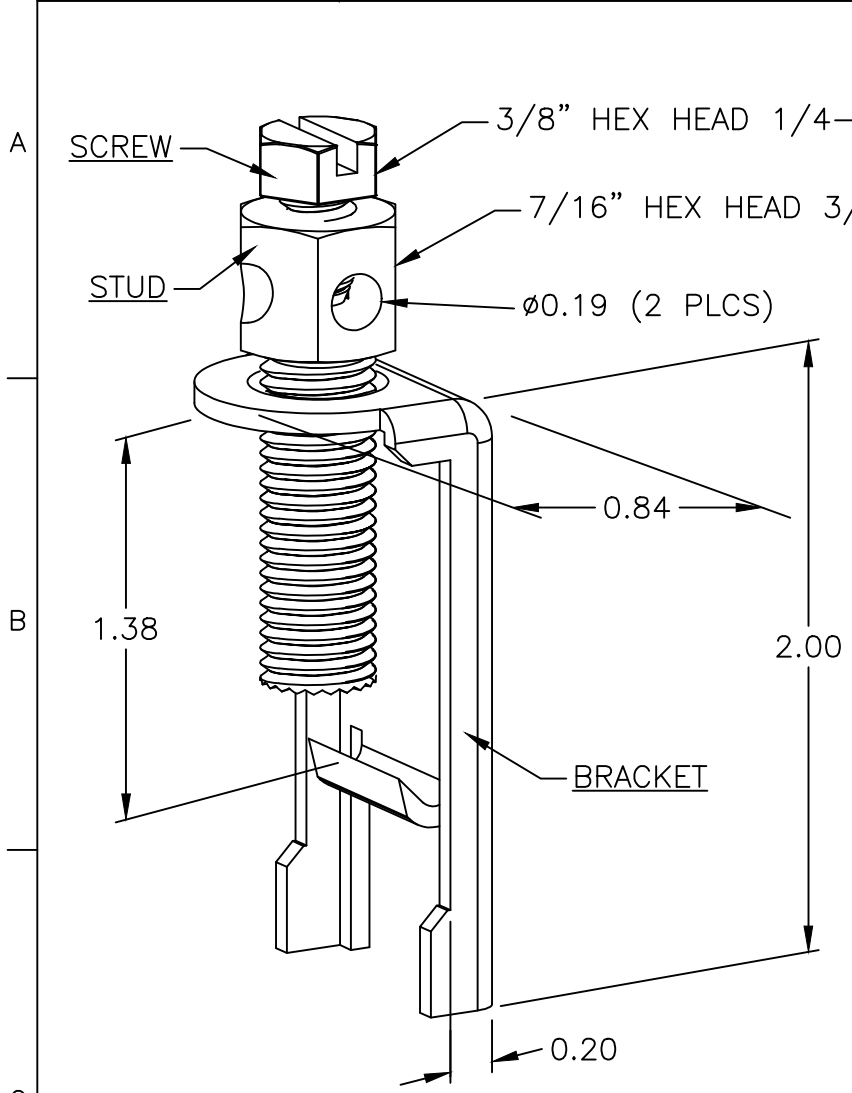


1	2	3	4	5
COMPONENT SPECIFICATION	USE OR REPRODUCTION OF THIS DRAWING FOR THE PURPOSE OF MANUFACTURING THIS ARTICLE OR ANY ARTICLES SHOWN FOR ANY PURPOSE IS STRICTLY PROHIBITED WITHOUT WRITTEN PERMISSION FROM SENIOR INDUSTRIES, INC.			



SPECIFICATIONS:

MECHANICAL:

WIRE RANGE: #14-#6 AWG SOLID COPPER GROUND WIRE
 AGENCY APPROVALS: UL/CUL FILE NO. E137532

MATERIAL:

BRACKET: 0.070" THICK STEEL, METER BOX GRAY FINISH, NON-CHIP PAINT OR POWDER COAT.
 STUD: 300 SERIES STAINLESS STEEL
 SCREW: 18-8 STAINLESS STEEL, GREEN HEAD

NOTE: FOR USE ON 0.350" TO 1.225" METER BOX LIP WIDTHS



DESIGNED:			SYM.	DATE:	DESCRIPTION OF REVISIONS:	DRAWN:	APPD:	TOLERANCE:	PART NO:	SI-2167SLM-WL
DRAWN:	MAW	08/24/11	△	08.24.11	NEW	MAW	JF			
CHECKED:	MAW	08/24/11	△	.	.			TO 2 DECIMAL PLACE: ±	TITLE:	SIDE LIP METER BOX CLAMP ASSY.
APPROVED:	JF	08/24/11	△	.	.			TO 3 DECIMAL PLACES: ±		
3RD ANGLE		UNIT:	IN	SCALE:		REV.	A	AS ANGLES: ±	SHEET:	1 OF 1