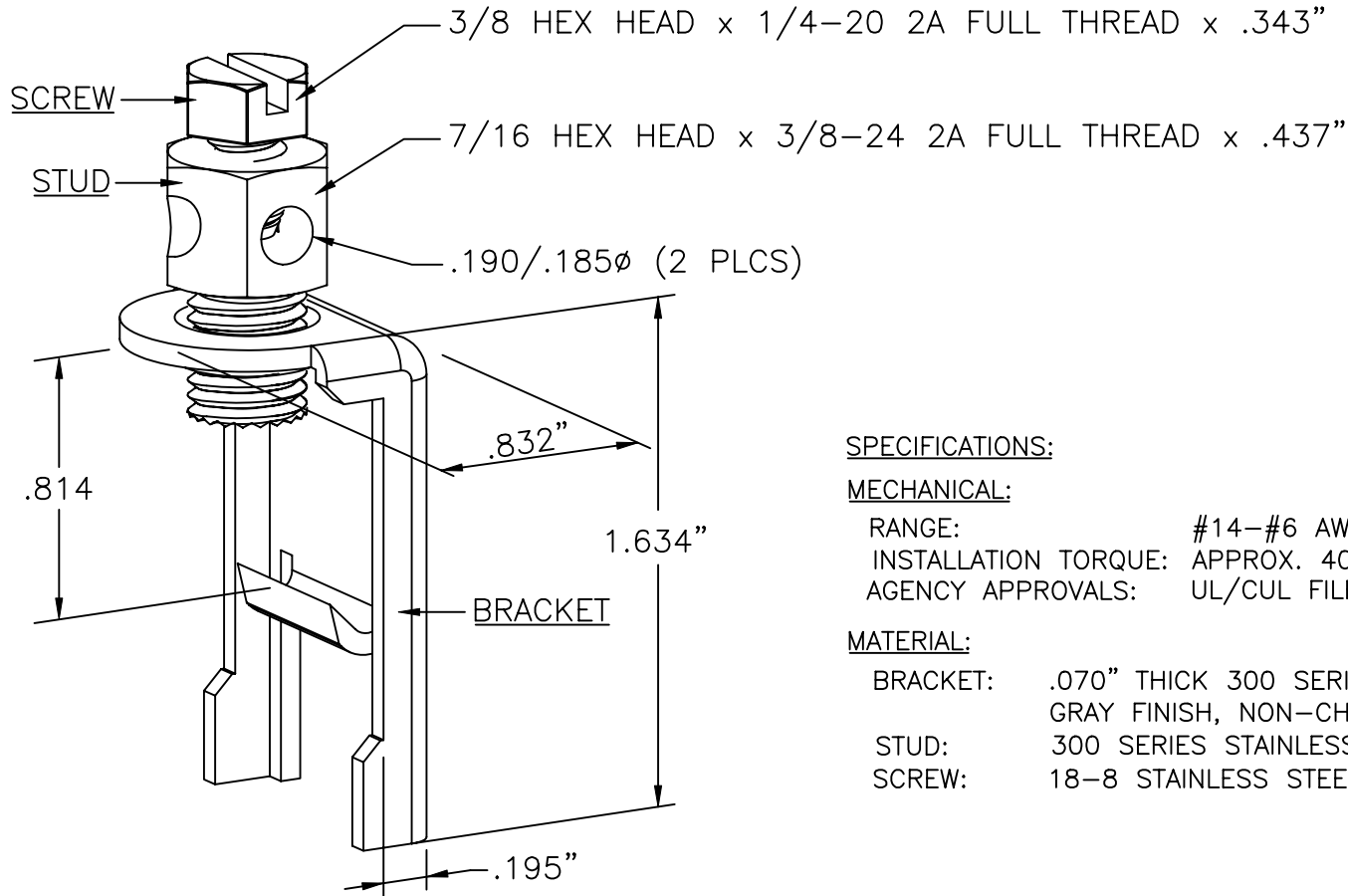


COMPONENT SPECIFICATION

USE OR REPRODUCTION OF THIS DRAWING FOR THE PURPOSE OF MANUFACTURING THIS ARTICLE OR ANY ARTICLES SHOWN FOR ANY PURPOSE IS STRICTLY PROHIBITED WITHOUT WRITTEN PERMISSION FROM SENIOR INDUSTRIES, INC.



SPECIFICATIONS:

MECHANICAL:

RANGE: #14-#6 AWG SOLID COPPER GROUND WIRE  
 INSTALLATION TORQUE: APPROX. 40 IN-LBS MIN.  
 AGENCY APPROVALS: UL/CUL FILE NO. E137532

MATERIAL:

BRACKET: .070" THICK 300 SERIES STAINLESS STEEL, METER BOX GRAY FINISH, NON-CHIP PAINT OR POWDER COAT.  
 STUD: 300 SERIES STAINLESS STEEL  
 SCREW: 18-8 STAINLESS STEEL, GREEN HEAD

NOTE: FOR USE ON NARROW SIDE TOP LIP METER BOX CLAMPS



**SENIOR INDUSTRIES, INC.**

|           |     |          |       |          |                           |        |       |            |                        |            |                       |
|-----------|-----|----------|-------|----------|---------------------------|--------|-------|------------|------------------------|------------|-----------------------|
| DESIGNED: |     |          | SYM.  | DATE:    | DESCRIPTION OF REVISIONS: | DRAWN: | APPD: | TOLERANCE: | PART NO:               | SI-2167SLM |                       |
| DRAWN:    | HV  | 11/21/05 | ▲     | 08.14.09 | NEW                       | GAT    | JF    |            |                        |            | TO 2 DECIMAL PLACE: ± |
| CHECKED:  | GAT | 08/14/09 | ▲     | .        | .                         |        |       |            | TO 3 DECIMAL PLACES: ± | SHEET:     |                       |
| APPROVED: | JF  | 08/14/09 | ▲     | .        | .                         |        |       |            |                        |            | AS ANGLES: ± °        |
| 3RD ANGLE |     |          | UNIT: | IN       | SCALE:                    | REV.   | A     |            |                        |            |                       |