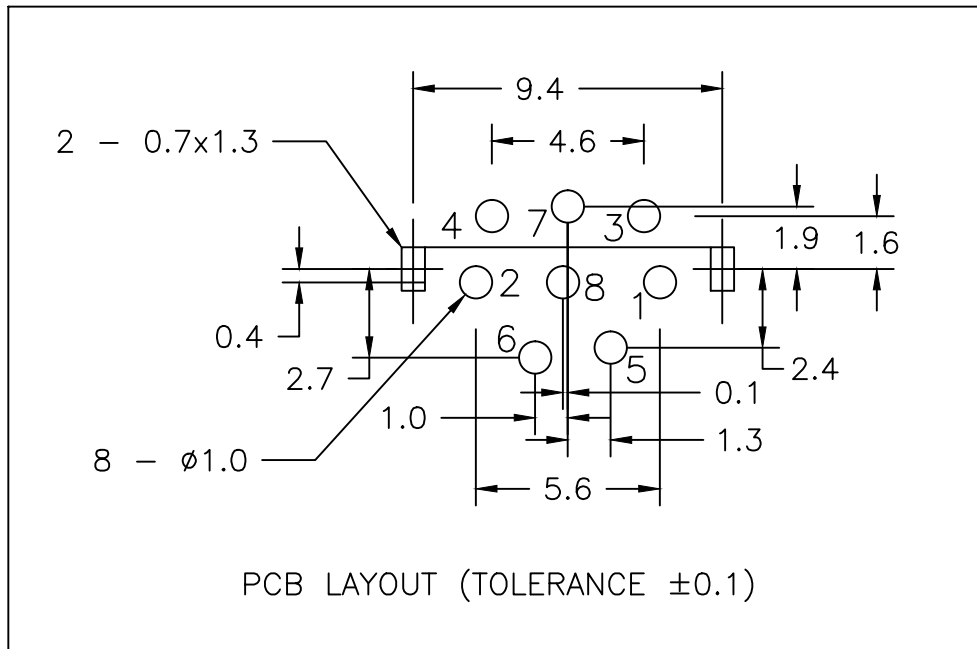
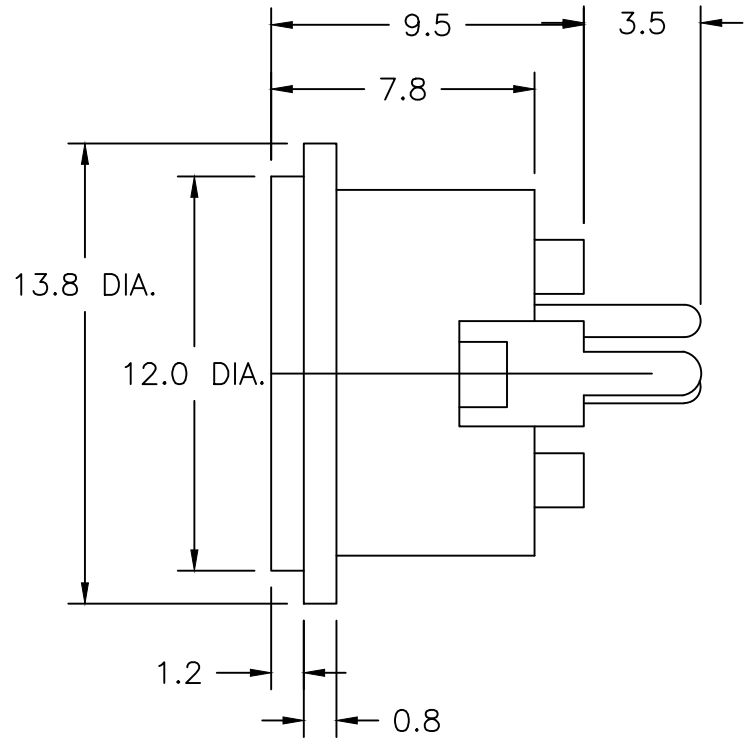
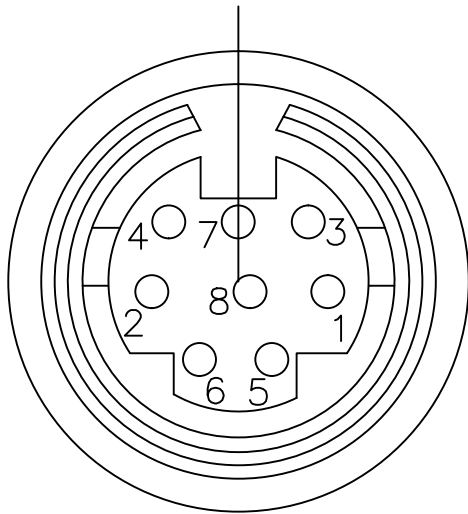


UNLESS OTHERWISE SPECIFIED, ALL DIMENSIONS ARE IN METRIC.

TO 1 DECIMAL PLACE $\pm .3$
 TO 2 DECIMAL PLACES $\pm .13$
 AS ANGLES $\pm 1/2^\circ$

ISSUE	DATE
C	04/25/14
D	11/23/16



NOTE: 'X' IN PART NUMBER DENOTES NUMBER OF CONTACTS.



TITLE: DIN RECEPTACLE		PART NO: SI-363-X	
DATE: 08/25/00	DRAWN: RB	CHKD: JF	SCALE: 4/1
		SHEET: 1 OF 2	

UNLESS OTHERWISE SPECIFIED, ALL DIMENSIONS ARE IN METRIC.

TO 1 DECIMAL PLACE ±
TO 2 DECIMAL PLACES ±
AS ANGLES ±

ISSUE	DATE
C	04/25/14
D	11/23/16

SPECIFICATIONS

ELECTRICAL

CONTACT RATING: 1A @ 100VAC, 2A @ 12VDC
CONTACT RESISTANCE: 30 MILLIOHMS MAX.
INSULATION RESISTANCE: 50 MEGOHMS MIN. AT 250 VDC
DIELECTRIC STRENGTH: 250VAC FOR 1 MINUTE

MECHANICAL

INSERTION FORCE: 1.0 – 4.5 Kg
WITHDRAWAL FORCE: 0.8 – 3.0 Kg
LIFE: 5000 CYCLES MIN.

MATERIAL

GROUND: BRASS, NICKEL PLATED
CONTACT: PHOSPHOR BRONZE, TIN PLATED
CONTACT AREA: GOLD PLATED
TERMINATION AREA: TIN PLATED
INSERT: PBT, UL94V-0
BODY: PBT, UL94V-0



**SENIOR
INDUSTRIES, INC.**

TITLE:

DIN RECEPTACLE

PART NO:

SI-363-X

DATE:

08/25/00

DRAWN:

RB

CHKD:

JF

SCALE:

N/A

SHEET:

2 OF 2