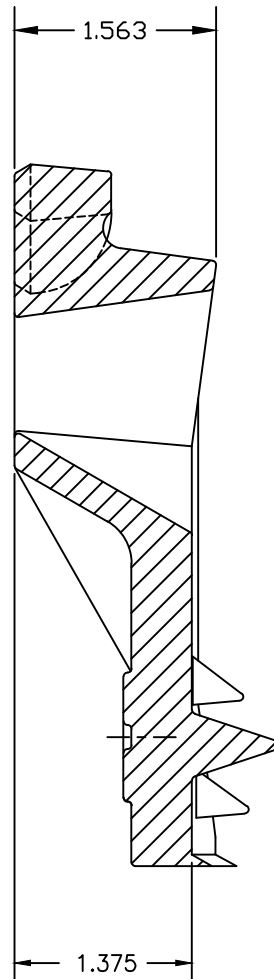
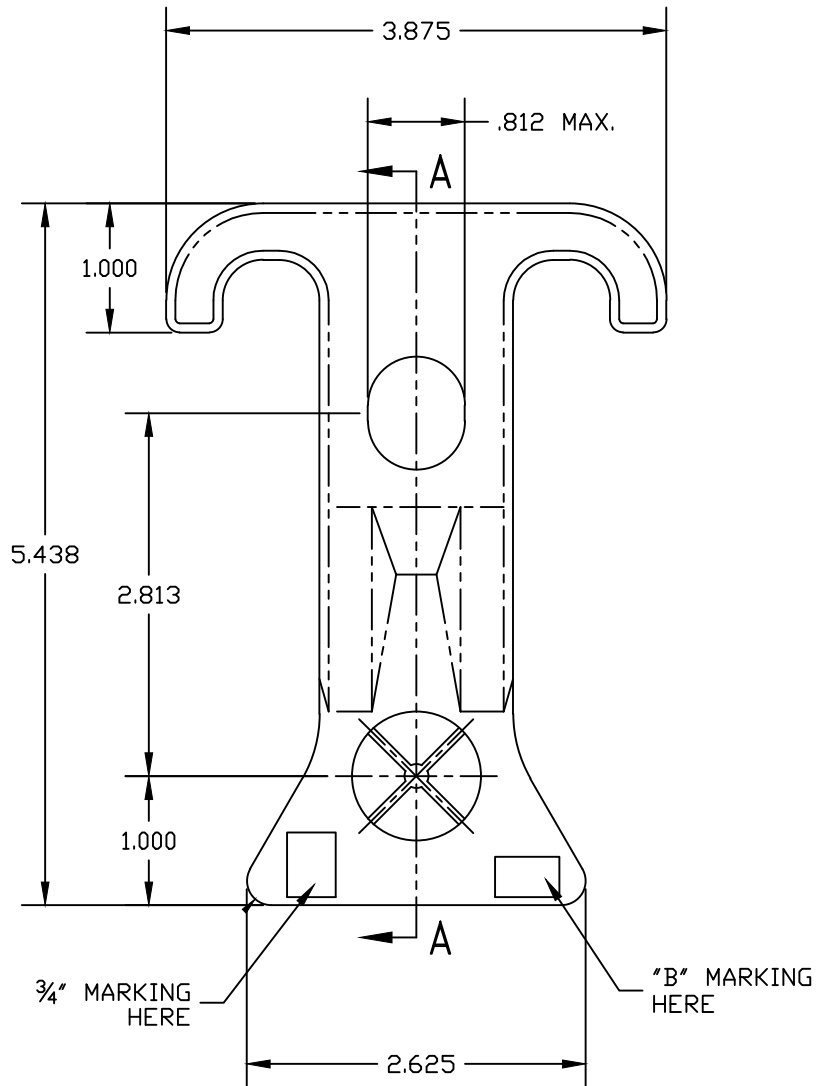


UNLESS OTHERWISE SPECIFIED, ALL DIMENSIONS ARE IN INCHES.

TO 2 DEC. PLS. ±
TO 3 DEC. PLS. ±
AS ANGLES ±

ISSUE	DATE
A	02/17/09
B	08/23/12



SECTION A-A

SPECIFICATIONS:

MECHANICAL:

RANGE: ACCEPTS A 16M STRAND
TEST LOAD: 15,000 LBS WITHOUT DEGRADATION
ASSEMBLY: MOUNTS TO POLE USING A 3/4" DIA BOLT THROUGH THE BOLT HOLE.

MATERIAL:

MATERIAL: MALLEABLE IRON PER ASTM A-47 OR DUCTILE IRON PER ASTM A-536 GRADE 65-45-12, 60-45-10, 60-40-18
FINISH: HOT DIP GALVANIZED PER ASTM A153 OR MECHANICALLY PLATED PER ASTM B695

SR SENIOR INDUSTRIES, INC.

TITLE:	3/4" GUY HOOK		PART NO:	SI-4426	
DATE:	01/28/86	DRAWN:	GAM	CHKD:	GAT
		SCALE:	1/1	SHEET:	1 OF 1