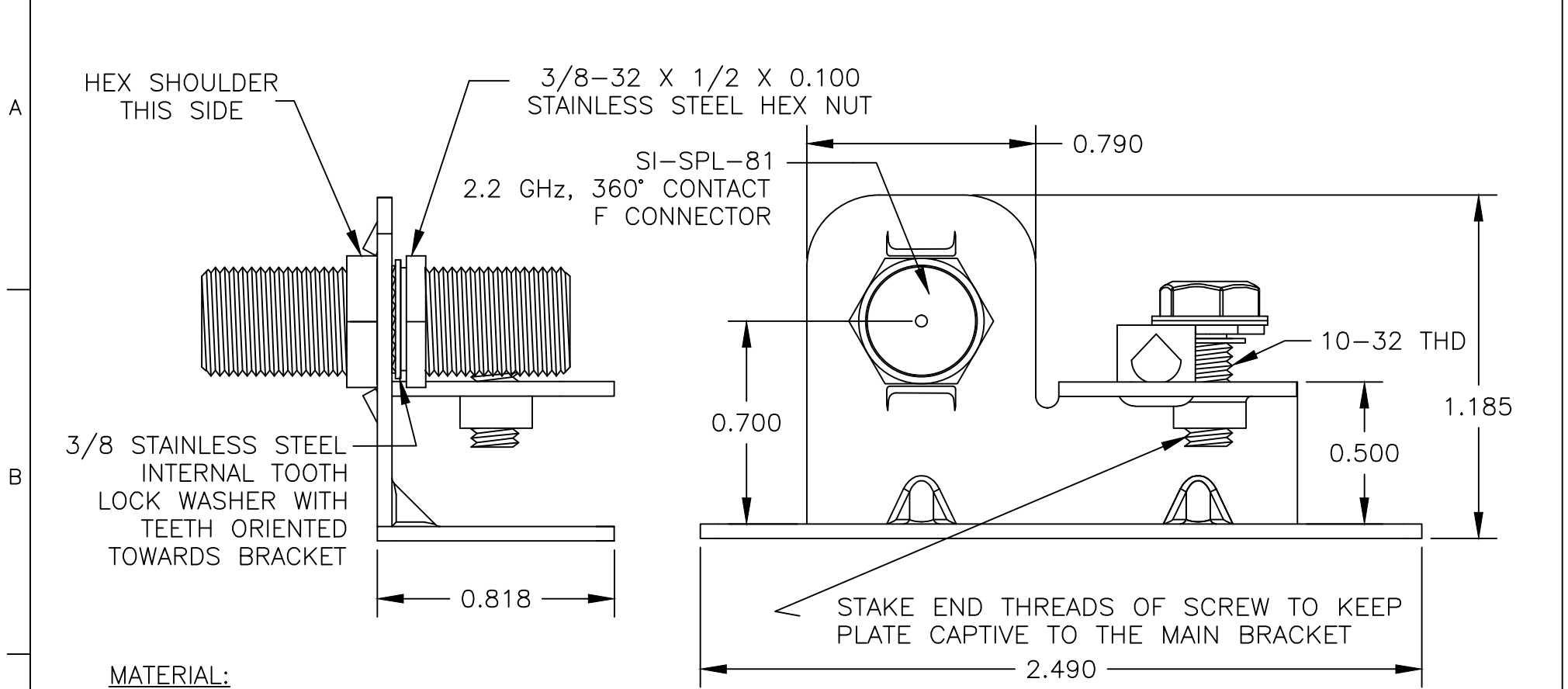


1	2	3	4	5
COMPONENT SPECIFICATION	USE OR REPRODUCTION OF THIS DRAWING FOR THE PURPOSE OF MANUFACTURING THIS ARTICLE OR ANY ARTICLES SHOWN FOR ANY PURPOSE IS STRICTLY PROHIBITED WITHOUT WRITTEN PERMISSION FROM SENIOR INDUSTRIES, INC.			



**MATERIAL:**

BRACKET: .050" THICK STAINLESS STEEL, SAND BLAST FINISH  
 10-32 X .437" SCREW: STAINLESS STEEL  
 CONTACT CLIP: .045" THICK STAINLESS STEEL



**SENIOR INDUSTRIES, INC.**

DESIGNED:			SYM.	DATE:	DESCRIPTION OF REVISIONS:	DRAWN:	APPD:	TOLERANCE:	PART NO:	SI-GB-10
DRAWN:	GAT	05/08/09	△	05.08.09	NEW	GAT	JF	TO 2 DECIMAL PLACE: ± TO 3 DECIMAL PLACES: ±.005	TITLE:	SINGLE GROUND BLOCK BRACKET ASSY
CHECKED:	GAT	05/08/09	△	11.04.11	Corrected f-conn length pictured	MAW	JF			
APPROVED:	JF	05/08/09	△					AS ANGLES: ±1/2°	SHEET:	1 OF 1
<b>3RD ANGLE</b>			UNIT:	IN	SCALE:	2:1	REV:	B		