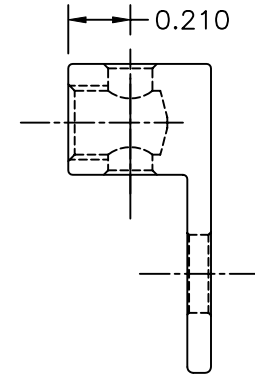
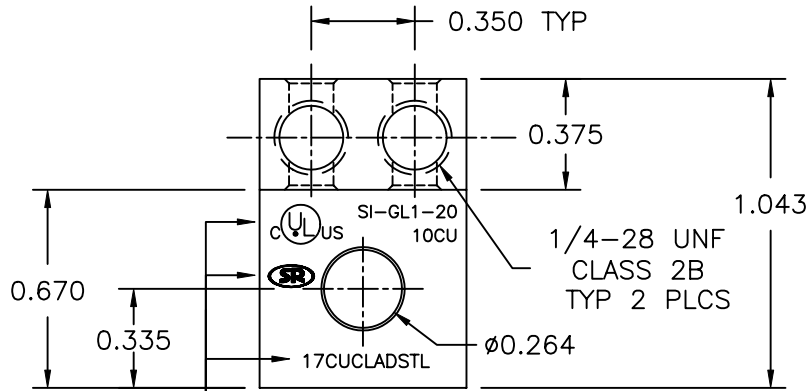
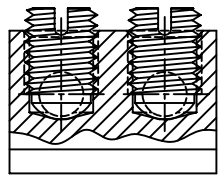


COMPONENT SPECIFICATION

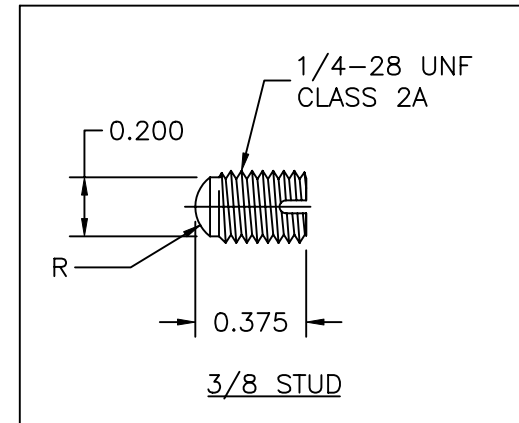
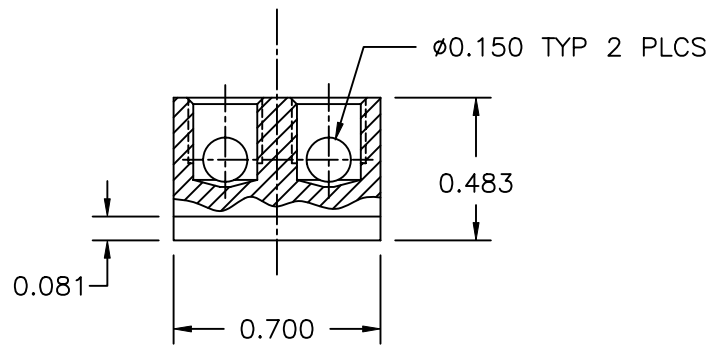
USE OR REPRODUCTION OF THIS DRAWING FOR THE PURPOSE OF MANUFACTURING THIS ARTICLE OR ANY ARTICLES SHOWN FOR ANY PURPOSE IS STRICTLY PROHIBITED WITHOUT WRITTEN PERMISSION FROM SENIOR INDUSTRIES, INC.



MARKINGS AS SHOWN IN THE APPROX. SIZE AND LOCATION.



ASSEMBLY



MATERIAL: ALUMINUM



SENIOR INDUSTRIES, INC.

DESIGNED:			SYM.	DATE:	DESCRIPTION OF REVISIONS:	DRAWN:	APPD:	TOLERANCE:	PART NO:	SI-GL1-20
DRAWN:	GAT	11/15/07	▲	11.15.07	NEW	GAT	JF	TO 2 DECIMAL PLACE: ±	TITLE	DUAL BARREL GROUNDING LUG
CHECKED:	GAT	11/15/07	▲	.				TO 3 DECIMAL PLACES: ±	SHEET:	1 OF 1
APPROVED:	JF	11/15/07	▲	.				AS ANGLES: ±		
3RD ANGLE		UNIT:	IN	SCALE:	2:1	REV.	A			