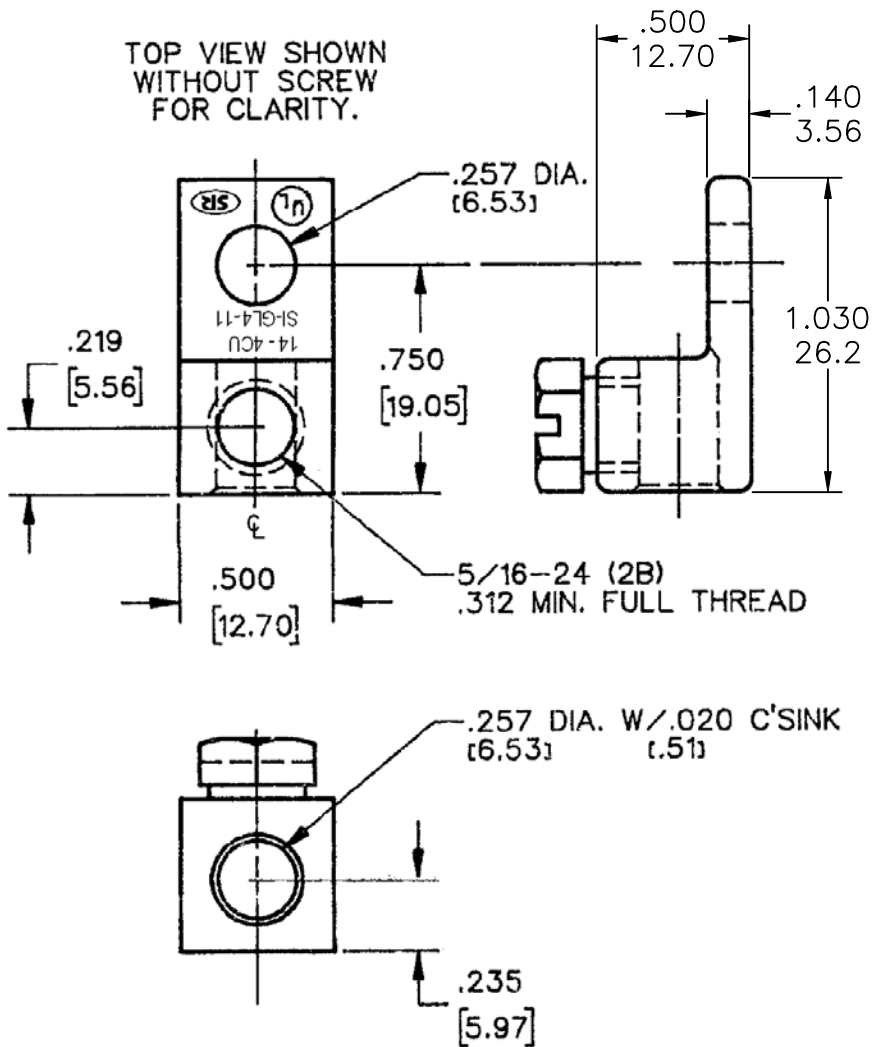
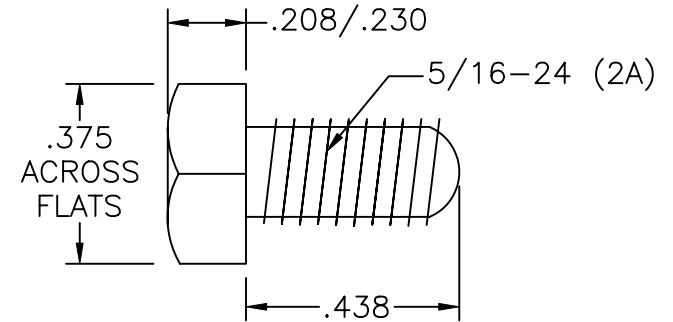


COMPONENT SPECIFICATION

USE OR REPRODUCTION OF THIS DRAWING FOR THE PURPOSE OF MANUFACTURING THIS ARTICLE OR ANY ARTICLES SHOWN FOR ANY PURPOSE IS STRICTLY PROHIBITED WITHOUT WRITTEN PERMISSION FROM SENIOR INDUSTRIES, INC.





HEX SCREW DETAIL:



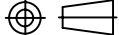
NOTES:

1. MATERIAL: CDA 385 BRONZE.
2. ELECTRO-TIN PLATE AFTER DRILLING AND TAPPING.
3. GROUNDING LUG SHALL BE PROVIDED WITH THE SCREW ASSEMBLED AT 5 MIN. TO 10 MAX. LBS TORQUE.

PART NUMBER BUILDER:

MODEL	TYPE	SCREW TYPE
SI-GL4		
1-SINGLE	0 - Upright Set Screw	
2-DUAL	1 - Upright Hex Screw	
	2 - Side Hex Screw	
	3 - Upright Hex Screw w/Side Ground Wire	



DESIGNED:			SYM.	DATE:	DESCRIPTION OF REVISIONS:	DRAWN:	APPD:	TOLERANCE:	PART NO:	SI-GL4-11
DRAWN:	GAT	09/08/10	△	09.08.10	NEW	GAT	JF	TO 2 DECIMAL PLACE: ±	TITLE:	GROUNDING LUG
CHECKED:	GAT	09/08/10	△	.	.			TO 3 DECIMAL PLACES: ±	SHEET:	1 OF 1
APPROVED:	JF	09/08/10	△	.	.			AS ANGLES: ±		
3RD ANGLE		UNIT:	inches	SCALE:	1:1	REV.	A			