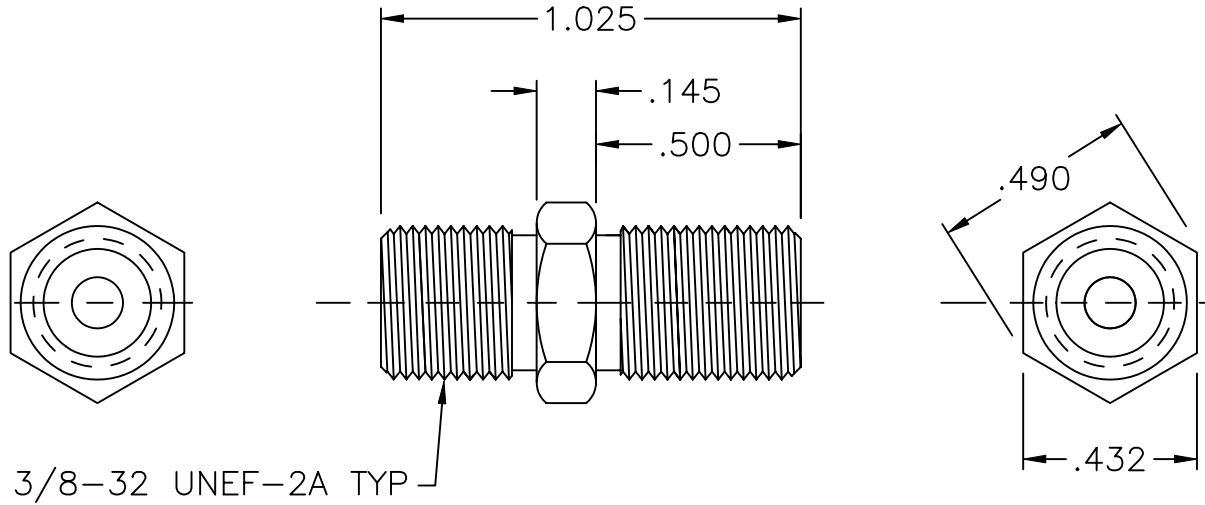


COMPONENT SPECIFICATION

USE OR REPRODUCTION OF THIS DRAWING FOR THE PURPOSE OF MANUFACTURING THIS ARTICLE OR ANY ARTICLES SHOWN FOR ANY PURPOSE IS STRICTLY PROHIBITED WITHOUT WRITTEN PERMISSION FROM SENIOR INDUSTRIES, INC.



MATERIAL:

BODY: BRASS, NICKEL PLATED

CONTACT: MULTI-POINT 360° BERYLLIUM COPPER SOCKET, GOLD PLATING

INSULATOR: HIGH TEMPERATURE PP PLASTIC, BLUE COLOR



SENIOR INDUSTRIES, INC.

DESIGNED:			SYM.	DATE:	DESCRIPTION OF REVISIONS:	DRAWN:	APPD:	TOLERANCE:	PART NO:	SI-SP-81
DRAWN:	GAT	03/26/07	▲	03.26.07	NEW	GAT	JF			
CHECKED:	GAT	05/31/07	▲	.	.			TO 2 DECIMAL PLACE: ±	TITLE:	F CONNECTOR
APPROVED:	JF	05/31/07	▲	.	.			TO 3 DECIMAL PLACES: ±		
3RD ANGLE		UNIT:	IN	SCALE:	1:1	REV:	A	AS ANGLES: ±	SHEET:	1 OF 1