

1

2

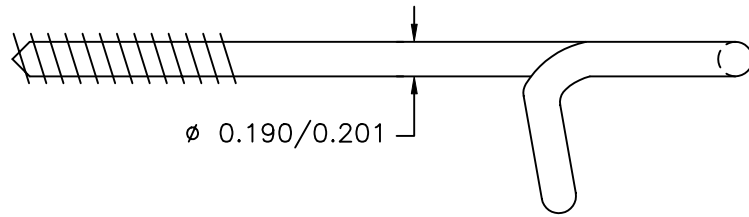
3

4

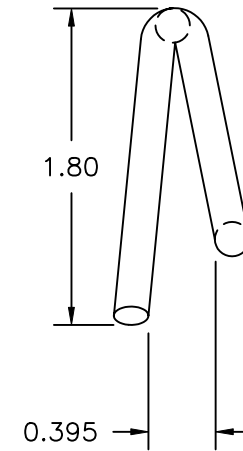
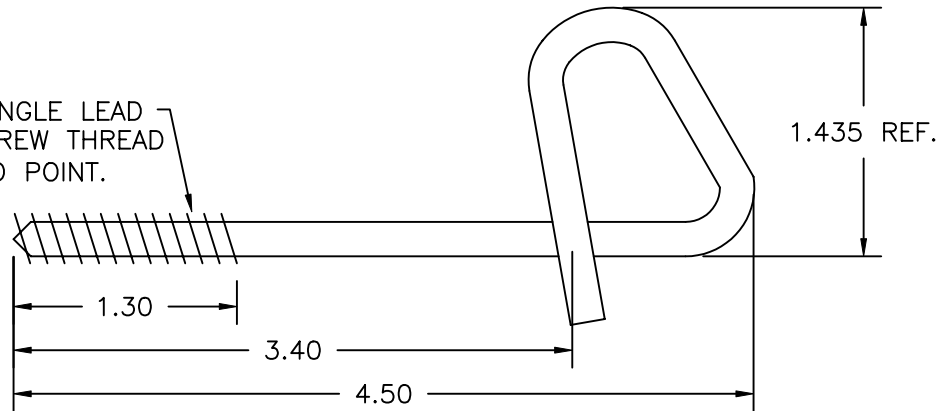
5

COMPONENT SPECIFICATION

USE OR REPRODUCTION OF THIS DRAWING FOR THE PURPOSE OF MANUFACTURING THIS ARTICLE OR ANY ARTICLES SHOWN FOR ANY PURPOSE IS STRICTLY PROHIBITED WITHOUT WRITTEN PERMISSION FROM SENIOR INDUSTRIES, INC.



14-10 SINGLE LEAD WOOD SCREW THREAD THRU TO POINT.



NOTES:

- 1. MATERIAL: MILD STEEL, GALVANIZED PER ASTM A153 OR MECHANICALLY PLATED PER ASTM B695.
- 2. THE HOUSE HOOK SHALL BE FREE FROM FINS, FLASHES, CRACKS, AND FRACTURES.



DESIGNED:			SYM.	DATE:	DESCRIPTION OF REVISIONS:	DRAWN:	APPD:	TOLERANCE:	PART NO:	SI-0010L	
DRAWN:	GAT	06/10/08	△	06.10.08	NEW	GAT	JF				
CHECKED:	GAT	06/10/08	△	.	.			TO 2 DECIMAL PLACE: ±	TITLE:	HOUSE HOOK	
APPROVED:	JF	06/10/08	△	.	.			TO 3 DECIMAL PLACES: ±			
3RD ANGLE		UNIT:	IN	SCALE:	1:1	REV.	A	AS ANGLES:	± °	SHEET:	1 OF 1