

1

2

3

4

5

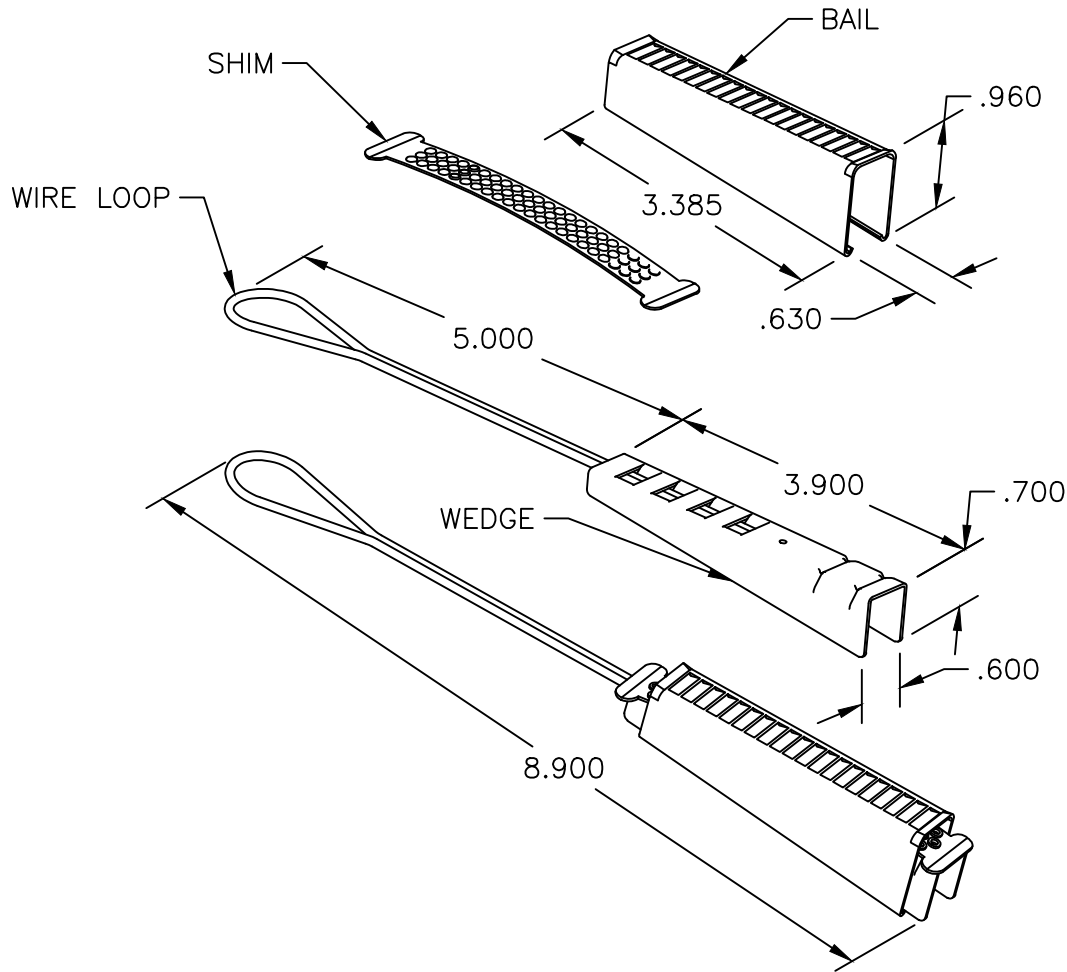
COMPONENT SPECIFICATION

USE OR REPRODUCTION OF THIS DRAWING FOR THE PURPOSE OF MANUFACTURING THIS ARTICLE OR ANY ARTICLES SHOWN FOR ANY PURPOSE IS STRICTLY PROHIBITED WITHOUT WRITTEN PERMISSION FROM SENIOR INDUSTRIES, INC.

A

B

C



NOTES:

MECHANICAL:

RANGE: USED WITH 6 PAIR DROP WIRE  
LOAD: WHEN ASSEMBLED TO DROP WIRE, CLAMP SHALL WITHSTAND 800 LBS. FORCE WITHOUT DEGRADATION OR CABLE SLIPPAGE.

PACKAGING: 2 PARTS PACKAGED AS PAIR

MATERIAL:

BAIL: 304 STAINLESS STEEL  
SHIM: 304 STAINLESS STEEL  
WEDGE: 304 STAINLESS STEEL  
WIRE LOOP: 430 STAINLESS STEEL



**SENIOR INDUSTRIES, INC.**

DESIGNED:			SYM.	DATE:	DESCRIPTION OF REVISIONS:	DRAWN:	APPD:
			▲	06.15.07	NEW	GAT	JF
DRAWN:	GAT	06/15/07	▲	04.23.10	Corr'd .955 to .960	GAT	JF
CHECKED:	GAT	04/23/10	▲	.	.		
APPROVED:	JF	04/23/10	▲	.	.		
3RD ANGLE		UNIT:	inches	SCALE:		REV.	B

TOLERANCE:	PART NO:	SI-0966
TO 2 DECIMAL PLACES: ±	TITLE:	6 PAIR DROP WIRE CLAMP
TO 3 DECIMAL PLACES: ±	SHEET:	1 OF 1
AS ANGLES: ±		