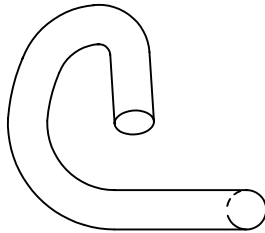
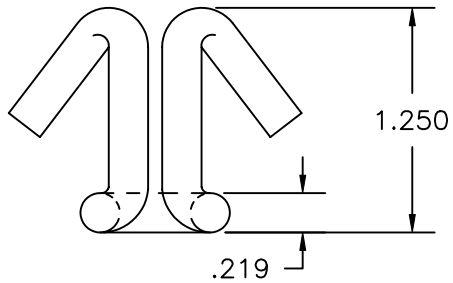
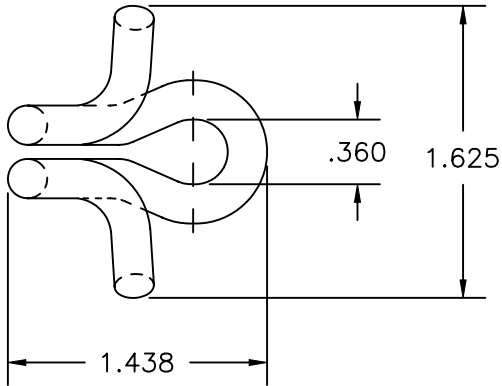


COMPONENT SPECIFICATION

USE OR REPRODUCTION OF THIS DRAWING FOR THE PURPOSE OF MANUFACTURING THIS ARTICLE OR ANY ARTICLES SHOWN FOR ANY PURPOSE IS STRICTLY PROHIBITED WITHOUT WRITTEN PERMISSION FROM SENIOR INDUSTRIES, INC.



NOTES:

MATERIAL: STEEL, MECHANICALLY GALVANIZED PER ASTM B-695.

ALL HOOKS SHALL BE FREE FROM SHARP EDGES AND PROJECTIONS WHICH MIGHT INJURE THE HANDS OR THE DROP WIRE ATTACHMENT.



SENIOR INDUSTRIES, INC.

DESIGNED:			SYM.	DATE:	DESCRIPTION OF REVISIONS:	DRAWN:	APPD:	TOLERANCE:	PART NO:	SI-1130
DRAWN:	GAT	02/23/05	△	01.27.10	NEW	GAT	JF			
CHECKED:	GAT	01/27/10	△	.	.			TO 1 DECIMAL PLACE: ±	TITLE:	DROP WIRE HOOK
APPROVED:	JF	01/27/10	△	.	.			TO 2 DECIMAL PLACES: ±		
3RD ANGLE		UNIT:	IN	SCALE:	1:1	REV:	A	AS ANGLES: ±	SHEET:	1 OF 1