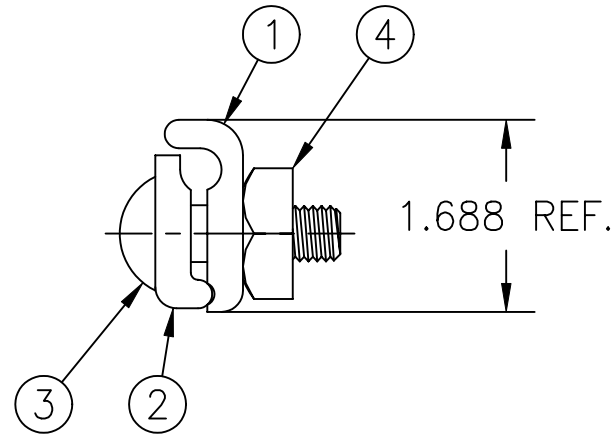
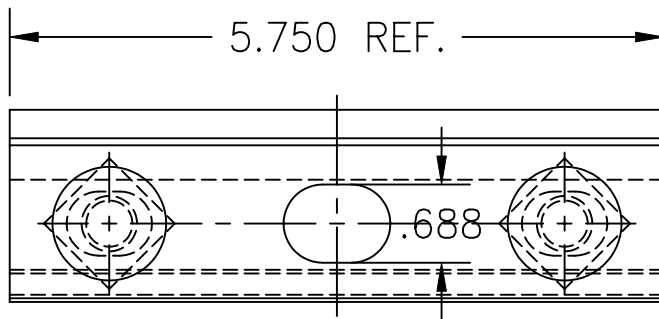


1	2	3	4	5
COMPONENT SPECIFICATION		USE OR REPRODUCTION OF THIS DRAWING FOR THE PURPOSE OF MANUFACTURING THIS ARTICLE OR ANY ARTICLES SHOWN FOR ANY PURPOSE IS STRICTLY PROHIBITED WITHOUT WRITTEN PERMISSION FROM SENIOR INDUSTRIES, INC.		

ITEM	DESCRIPTION	QTY
1	CLAMP SIDE	1
2	CLAMP SIDE	1
3	1/2-13 x 1-5/8 TRACK BOLT	2
4	1/2 SQUARE NUT	2



NOTES:

- CLAMP MATERIAL: STEEL PER ASTM A-575 GRADE 1020. FINISH: HOT DIP GALVANIZE PER ASTM A-153.
- BOLTS, NUTS MATERIAL: STEEL. FINISH: MECHANICAL PLATING PER ASTM B-695.
- FOR USE WITH A 5/8" CABLE SUSPENSION BOLT.
- STRENGTH TEST:
WITH THE CLAMP ASSEMBLED ON 6.6M STRAND IT SHALL BE POSSIBLE TO APPLY AN AXIAL LOAD OF 1400 LBS TO THE STRAND WITHOUT THE STRAND SLIPPING THROUGH THE CLAMP. THIS TEST SHALL BE PERFORMED WITH THE BOLTS INSTALLED AT A TORQUE OF 100 FT-LBS. THE BOLT OR THREADS SHALL NOT FAIL AT THE INSTALLED TORQUE.



DESIGNED:			SYM.	DATE:	DESCRIPTION OF REVISIONS:	DRAWN:	APPD:	TOLERANCE:	PART NO:	SI-1740
DRAWN:	GAT	06/22/10	▲	06.22.10	NEW	GAT	JF			
CHECKED:	GAT	06/22/10	▲	.	.			TO 2 DECIMAL PLACE: ±	TITLE:	B CABLE SUSPENSION CLAMP
APPROVED:	JF	06/22/10	▲	.	.			TO 3 DECIMAL PLACES: ±	SHEET:	1 OF 1
3RD ANGLE		UNIT:	inches	SCALE:	1:1	REV.	A	AS ANGLES:		