

1

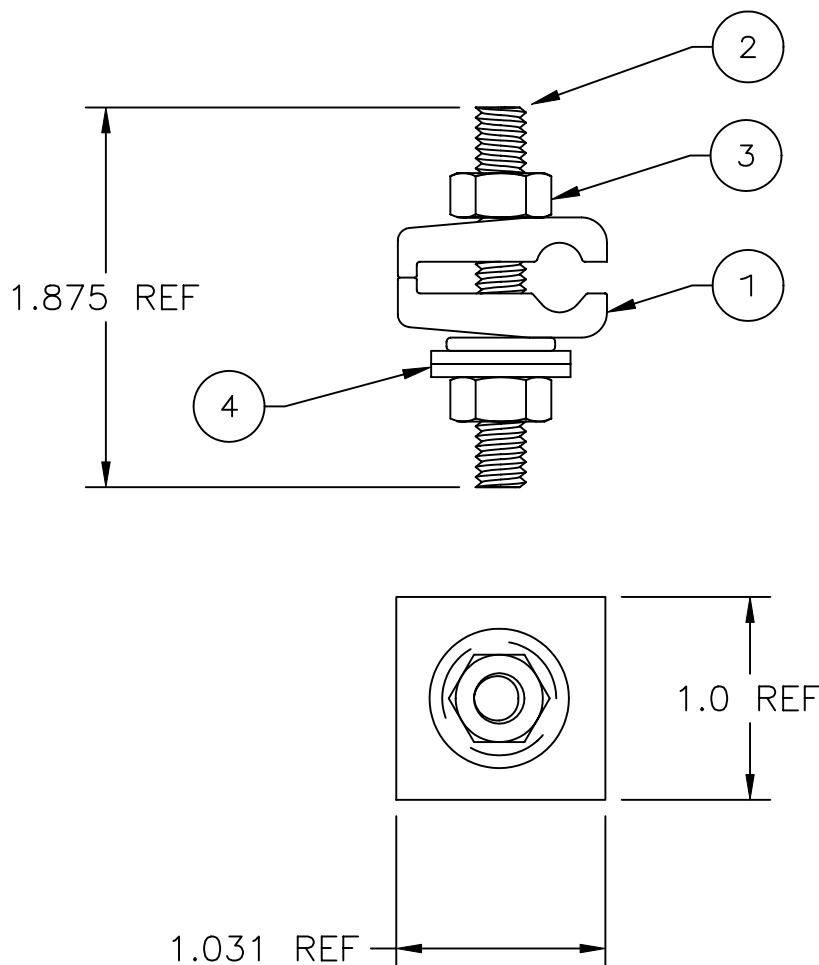
2

3

4

COMPONENT SPECIFICATION

USE OR REPRODUCTION OF THIS DRAWING FOR THE PURPOSE OF MANUFACTURING THIS ARTICLE OR ANY ARTICLES SHOWN FOR ANY PURPOSE IS STRICTLY PROHIBITED WITHOUT WRITTEN PERMISSION FROM SENIOR INDUSTRIES, INC.



4	WASHER (QTY=2)	STEEL, GALVANIZED
3	NUT (QTY=2)	STEEL, GALVANIZED
2	STUD	STEEL, GALVANIZED
1	JAW (QTY=2)	STEEL, GALVANIZED
ITEM	DESCRIPTION	MATERIAL

FOR USE WITH 1/4" TO 7/16" MESSENGER STRAND

DESIGNED:			SYM.	DATE:	DESCRIPTION OF REVISIONS:	DRAWN	APPD.
DRAWN:	MAW	03/21/11	△	03.21.11	NEW	MAW	JF
CHECKED:	MAW	03/21/11	△	. . .			
APPROVED:	JF	03/21/11	△	. . .			

3RD ANGLE		UNIT:	inches	SCALE:	N/A	REV.	A
-----------	--	-------	--------	--------	-----	------	---



TOLERANCE:		PART NO:	SI-2175
TO 1 DECIMAL PLACE:	±	TITLE: D LASHING WIRE CLAMP	
TO 2 DECIMAL PLACES:	±		
AS ANGLES:	±		
SHEET:		1 OF 1	