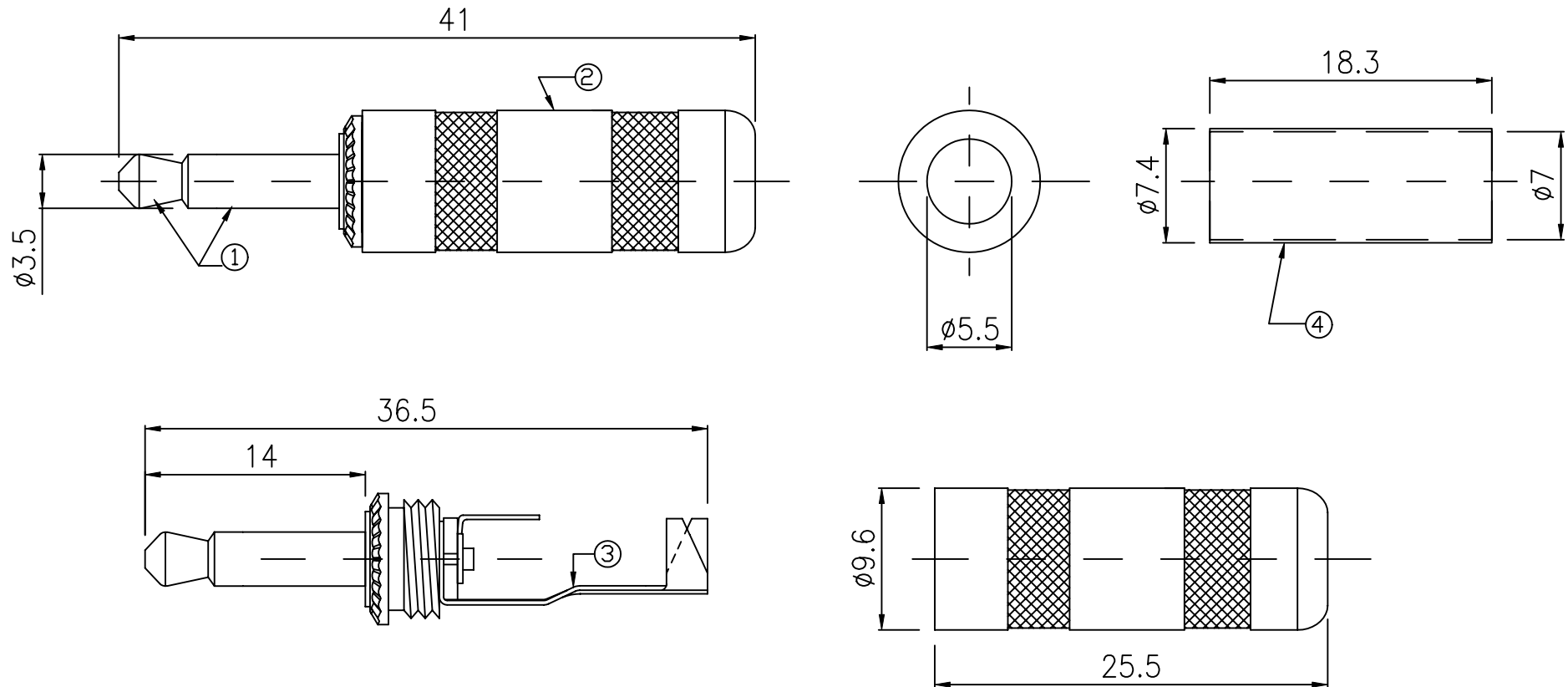


COMPONENT SPECIFICATION

USE OR REPRODUCTION OF THIS DRAWING FOR THE PURPOSE OF MANUFACTURING THIS ARTICLE OR ANY ARTICLES SHOWN FOR ANY PURPOSE IS STRICTLY PROHIBITED WITHOUT WRITTEN PERMISSION FROM SENIOR INDUSTRIES, INC.



ITEM:	DESCRIPTION:	QTY:	MATERIAL/FINISH:
1	$\phi 3.5$ mm MONO PLUG	1	BRASS, Ni PLATING
2	CAP	1	BRASS, Ni PLATING
3	TERMINALS	1	BRASS, TIN PLATING
4	INSULATOR	1	PLASTIC



SENIOR INDUSTRIES, INC.

DESIGNED:	DATE:	SYMBOL:	DESCRIPTION OF REVISIONS:	DRAWN:	APPD:
GAT	05/13/05	\triangle	NEW	GAT	
CHECKED:		\triangle			
APPROVED:		\triangle			

TOLERANCE:	PART NO:	TITLE:
TO 1 DECIMAL PLACE: $\pm .4$	SI-280	AUDIO PLUG
TO 2 DECIMAL PLACES: $\pm .20$		