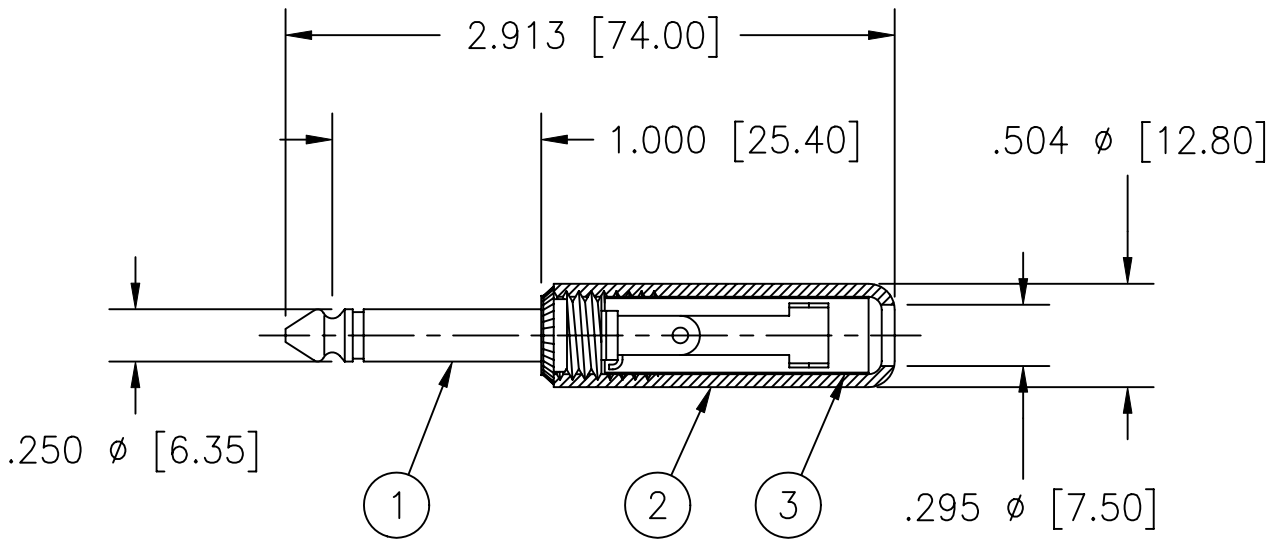


UNLESS OTHERWISE SPECIFIED, ALL DIMENSIONS ARE IN INCHES WITH METRIC IN BRACKETS. TO 2 DEC. PLS. ±
 TO 3 DEC. PLS. ±
 AS ANGLES ±

ISSUE	DATE
A	02/04/93
B	08/18/94
C	11/28/95



ITEM	DESCRIPTION	PART NO.	QTY
1	2 CONDUCTOR PHONE PLUG	SI-281-1	1
2	CAP	SI-290	1
3	INSULATOR	SI-280-2	1



TITLE: 2 CONDUCTOR PHONE PLUG

PART NO: SI-281

DATE: 12/09/92

DRAWN: GAM

CHKD:

SCALE: 1/1

SHEET: 1 OF 1