

UNLESS OTHERWISE SPECIFIED, ALL DIMENSIONS ARE IN INCHES WITH METRIC IN BRACKETS.

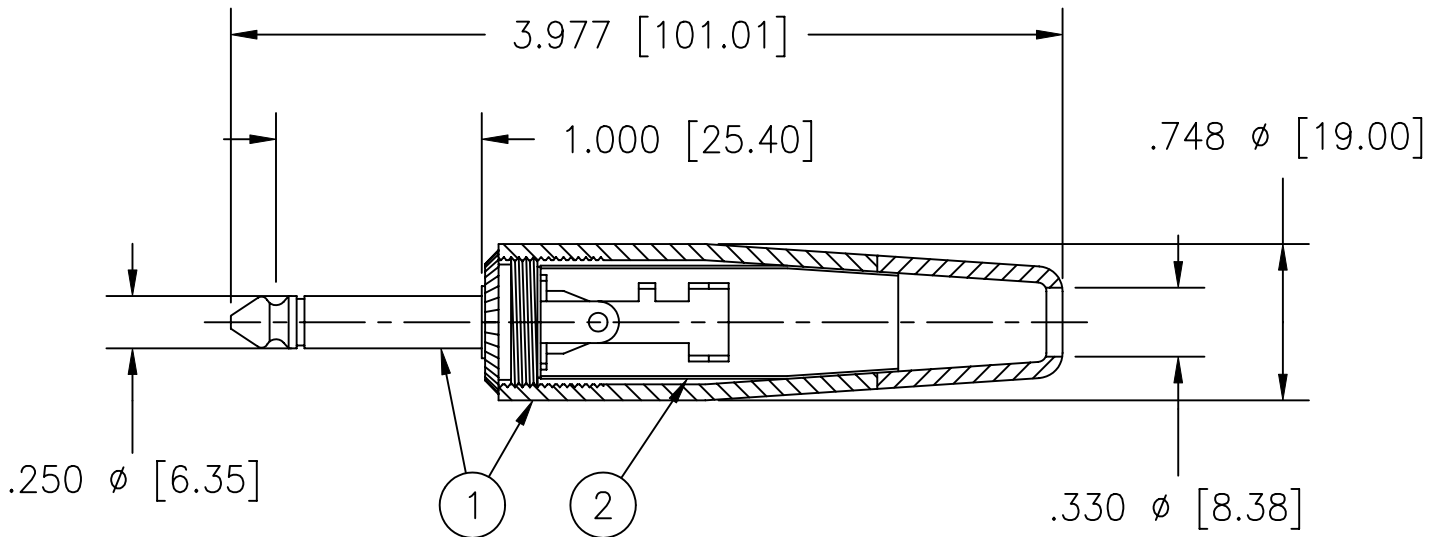
TO 2 DEC. PLS. ±
 TO 3 DEC. PLS. ±
 AS ANGLES ±

ISSUE

DATE

A

05/04/95



NOTES:

1. PHONE PLUG SHALL MEET THE REQUIREMENTS OF SPECIFICATION SR1117A.
2. PRODUCT SHALL BE PACKAGED WITH COMPONENTS UNASSEMBLED.

ITEM	DESCRIPTION	PART NO.	QTY
1	2 CONDUCTOR PHONE PLUG	SI-282-1	1
2	INSULATOR	SI-284-3	1



TITLE: 2 CONDUCTOR PHONE PLUG

PART NO: SI-282

DATE: 04/27/95

DRAWN: GAM

CHKD:

SCALE: 1/1

SHEET: 1 OF 1