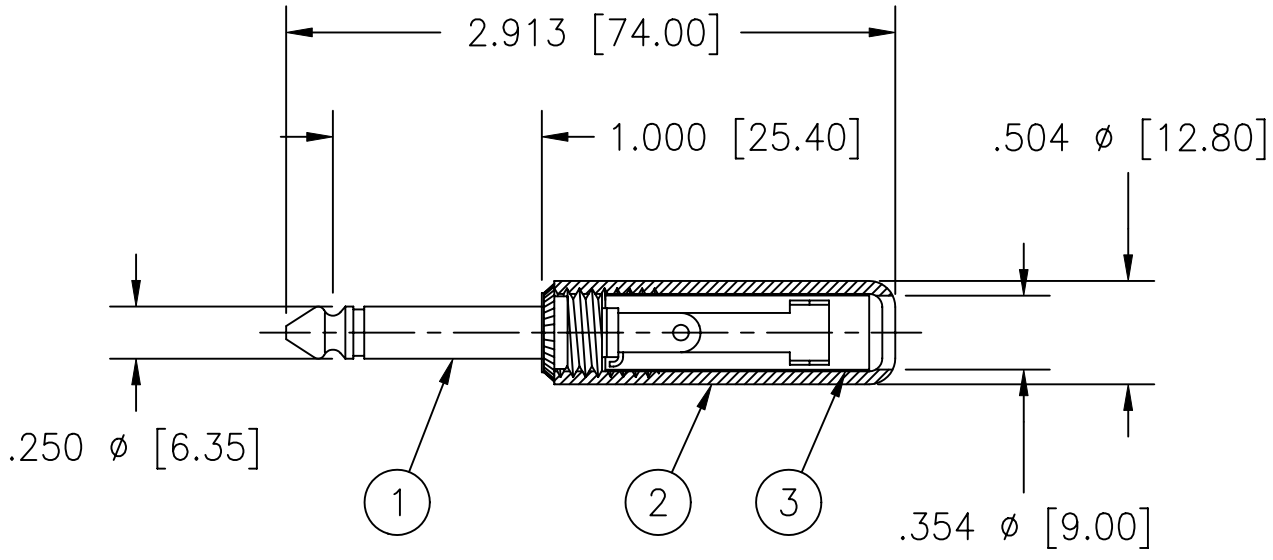


UNLESS OTHERWISE SPECIFIED, ALL DIMENSIONS ARE IN INCHES WITH METRIC IN BRACKETS. TO 2 DEC. PLS. ±
 TO 3 DEC. PLS. ±
 AS ANGLES ±

ISSUE	DATE
A	02/04/93
B	08/18/94
C	12/01/95



ITEM	DESCRIPTION	PART NO.	QTY
1	2 CONDUCTOR PHONE PLUG	SI-281-1	1
2	CAP W/ LARGER HOLE	SI-283-2	1
3	INSULATOR	SI-280-2	1



TITLE: 2 CONDUCTOR PHONE PLUG		PART NO: SI-283		
DATE: 12/09/92	DRAWN: GAM	CHKD:	SCALE: 1/1	SHEET: 1 OF 1