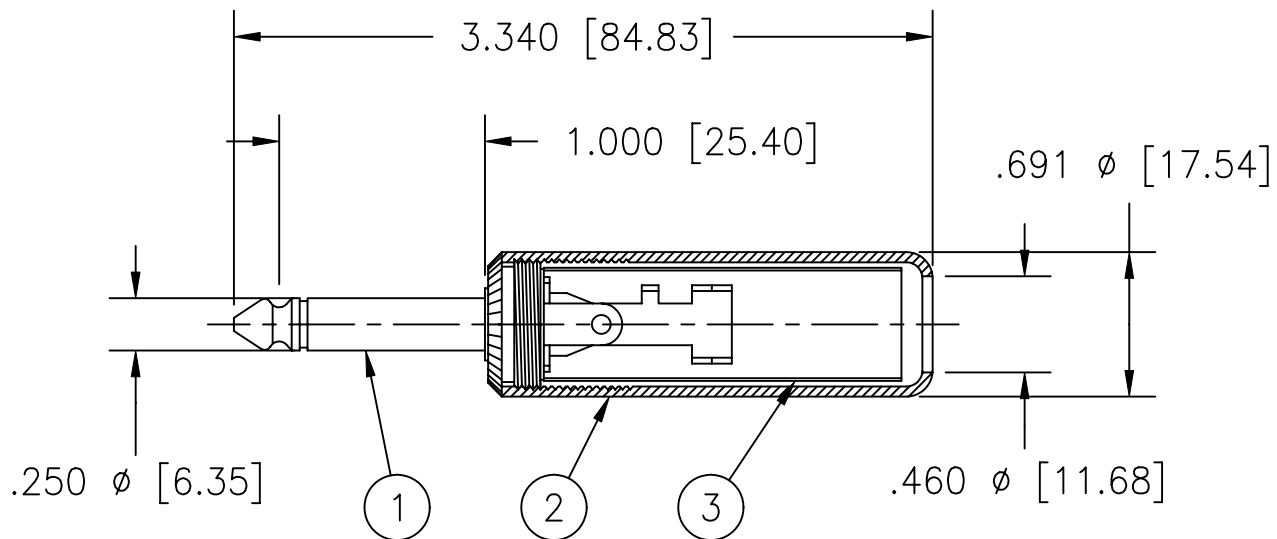


UNLESS OTHERWISE SPECIFIED, ALL DIMENSIONS ARE IN INCHES WITH METRIC IN BRACKETS. TO 2 DEC. PLS. ±  
 TO 3 DEC. PLS. ±  
 AS ANGLES ±

ISSUE	DATE
A	08/18/94



ITEM	DESCRIPTION	PART NO.	QTY
1	2 CONDUCTOR PHONE PLUG	SI-285-1	1
2	CAP W/LARGER HOLE	SI-285-2	1
3	INSULATOR	SI-284-3	1



TITLE: 2 CONDUCTOR PHONE PLUG		PART NO: SI-285L	
DATE: 07/27/94	DRAWN: GAM	CHKD: JF	SCALE: 1/1
		SHEET: 1 OF 1	