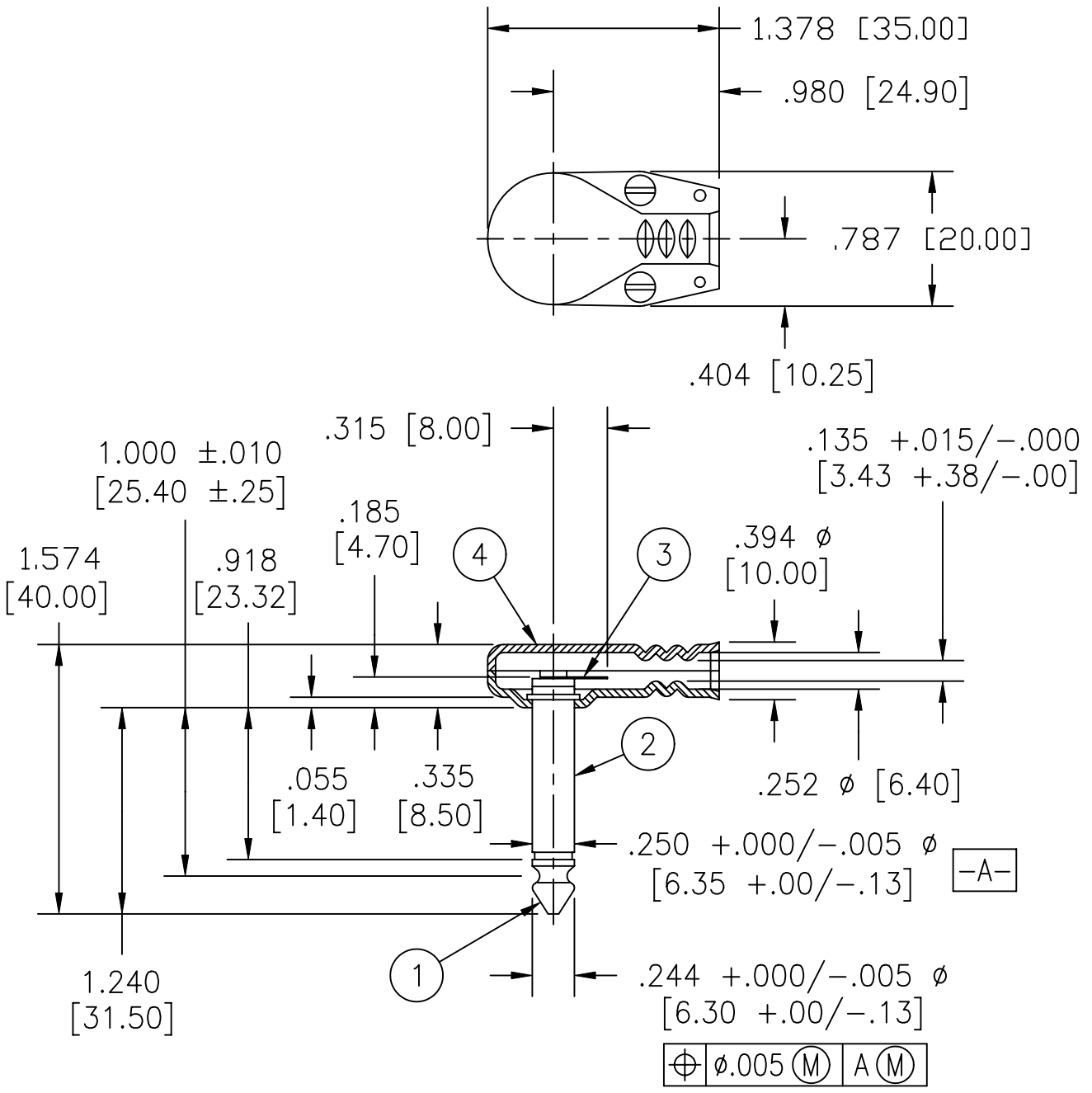


UNLESS OTHERWISE SPECIFIED, ALL DIMENSIONS ARE IN INCHES WITH METRIC IN BRACKETS. TO 2 DEC. PLS. ±
 TO 3 DEC. PLS. ±.015 [.38]
 AS ANGLES ±

ISSUE	DATE
B	09/04/98
C	02/14/11



ITEM	DESCRIPTION	QTY	MATERIAL/FINISH
1	TIP	1	BRASS, NICKEL PLATED
2	SLEEVE	1	BRASS, NICKEL PLATED
3	TERMINAL	1	BRASS, TIN PLATED
4	HOUSING	1	STEEL, NICKEL PLATED



TITLE: RIGHT ANGLE PHONE PLUG		PART NO: SI-286P	
DATE: 04/08/97	DRAWN: GAM	CHKD:	SCALE: 1/1
		SHEET: 1 OF 1	