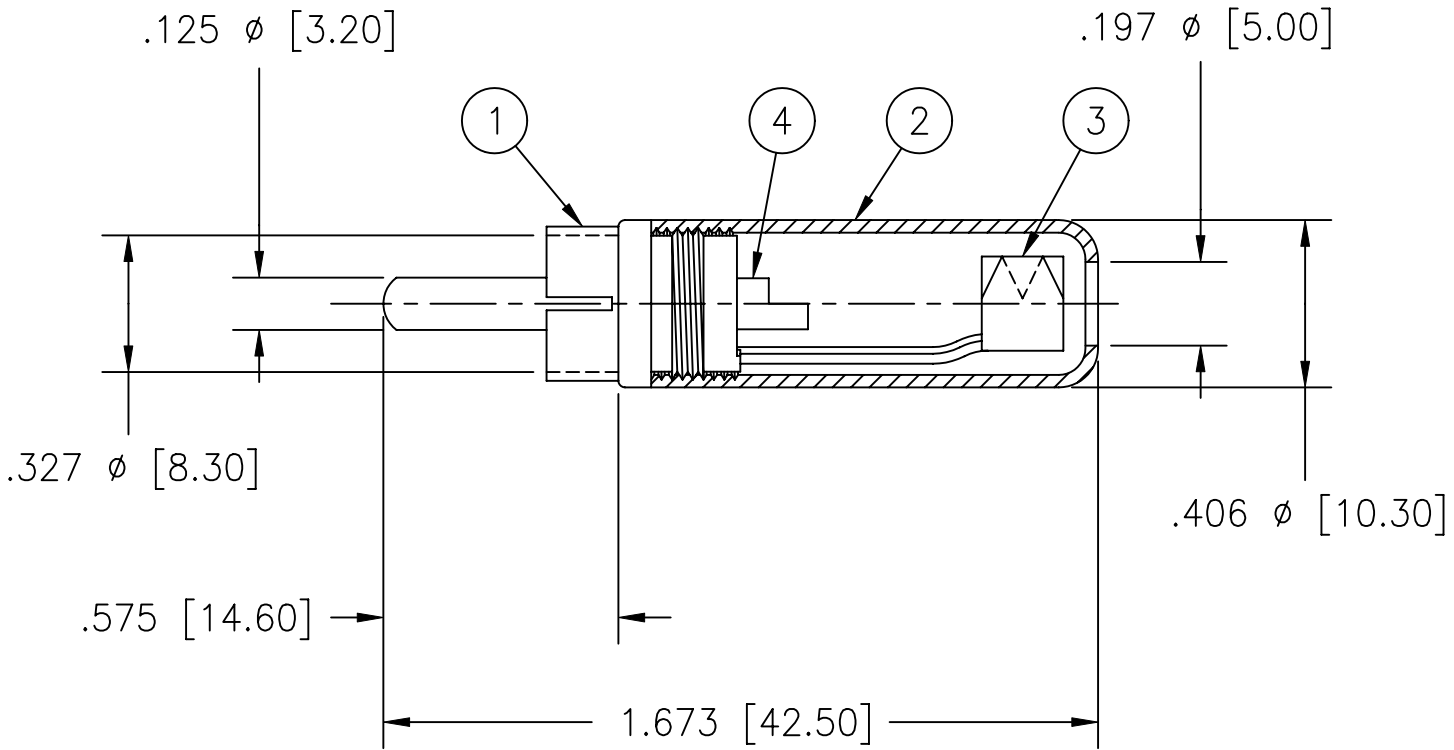


UNLESS OTHERWISE SPECIFIED, ALL DIMENSIONS ARE IN INCHES WITH METRIC IN BRACKETS. TO 2 DEC. PLS. ±
 TO 3 DEC. PLS. ±
 AS ANGLES ±

ISSUE	DATE
A	03/04/93
B	08/18/94



ITEM	DESCRIPTION	QTY	MATERIAL/FINISH
1	BODY	1	BRASS, NICKEL PLATED
2	CAP	1	BRASS, NICKEL PLATED
3	TERMINAL	1	BRASS, TIN PLATED
4	SOLDER CUP	1	BRASS, TIN PLATED



TITLE: PHONO PLUG ASSEMBLY
 DATE: 12/09/92
 DRAWN: GAM
 CHKD:

PART NO: SI-296
 SCALE: 2/1
 SHEET: 1 OF 1