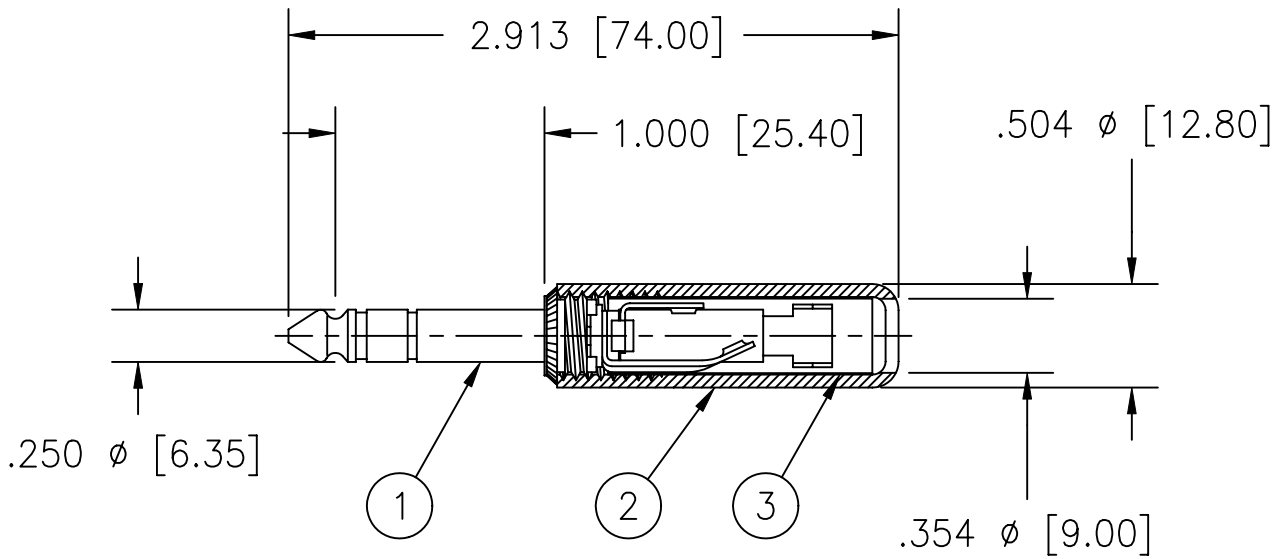


UNLESS OTHERWISE SPECIFIED, ALL DIMENSIONS ARE IN INCHES WITH METRIC IN BRACKETS. TO 2 DEC. PLS. ±
 TO 3 DEC. PLS. ±
 AS ANGLES ±

| ISSUE | DATE |
|-------|----------|
| A | 02/04/93 |
| B | 08/18/94 |



| ITEM | DESCRIPTION | PART NO. | QTY |
|------|------------------------|----------|-----|
| 1 | 3 CONDUCTOR PHONE PLUG | SI-297-1 | 1 |
| 2 | CAP W/ LARGER HOLE | SI-283-2 | 1 |
| 3 | INSULATOR | SI-280-2 | 1 |
| | | | |



TITLE: 3 CONDUCTOR PHONE PLUG

PART NO: SI-298

DATE: 12/09/92

DRAWN: GAM

CHKD:

SCALE: 1/1

SHEET: 1 OF 1