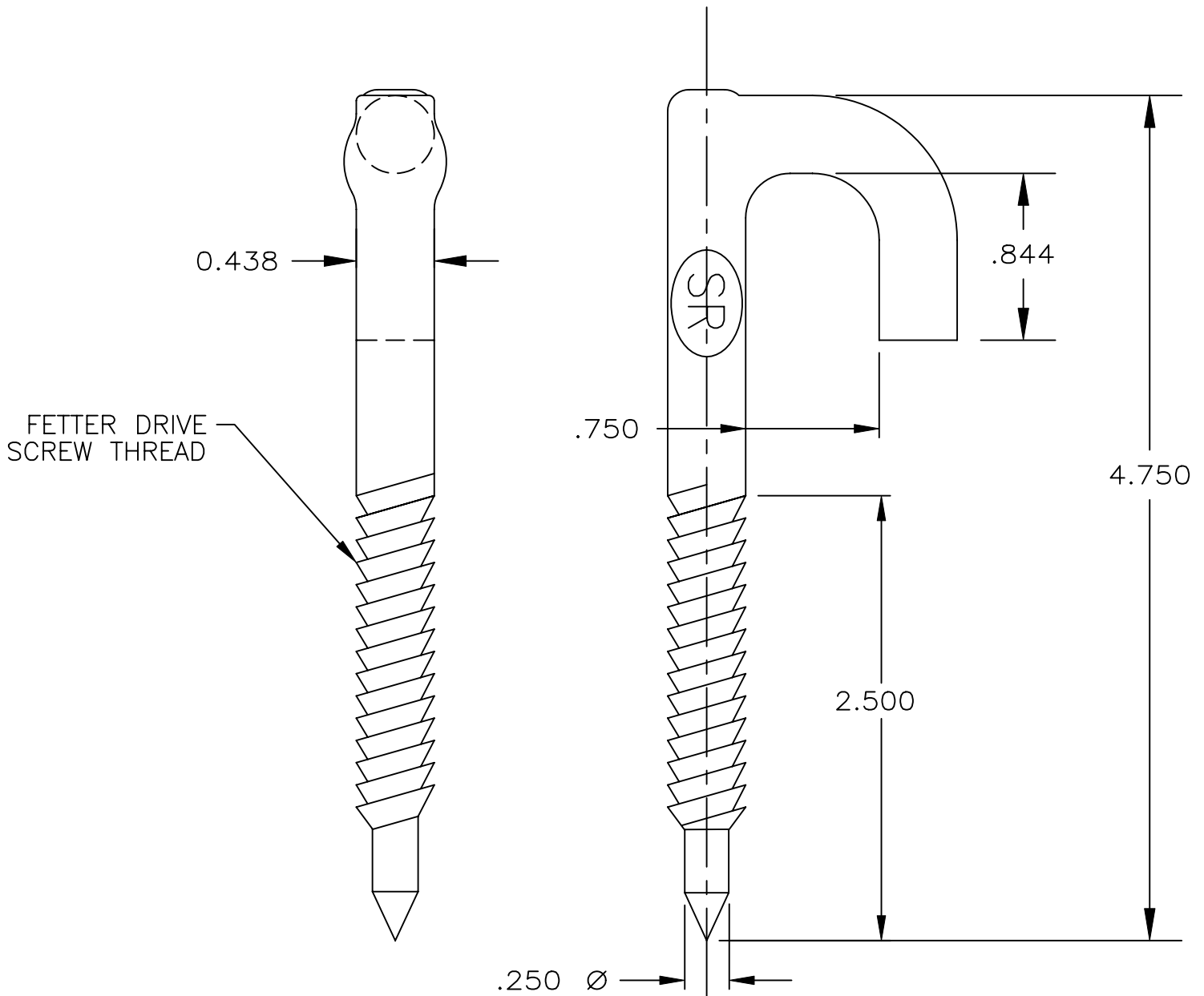


UNLESS OTHERWISE SPECIFIED, ALL DIMENSIONS ARE IN INCHES.

TO 2 DECIMAL PLACES ±
TO 3 DECIMAL PLACES ±
AS ANGLES ±1/2°

ISSUE
A

DATE
01/27/10



NOTES:

1. MATERIAL: STEEL
2. FINISH: GALVANIZE PER ASTM A-153
3. THE DRIVE HOOK CAN SUPPORT A LOAD OF 1800 LBS.
4. THE HOOK PORTION CAN BE STRAIGHTENED (90° BEND) WITHOUT ANY FRACTURE TO THE STEEL.



TITLE: DRIVE HOOK		PART NO: SI-3000		
DATE: 06/03/97	DRAWN: HV	CHKD: JF	SCALE: 2:1	SHEET: 1 OF 1