

1

2

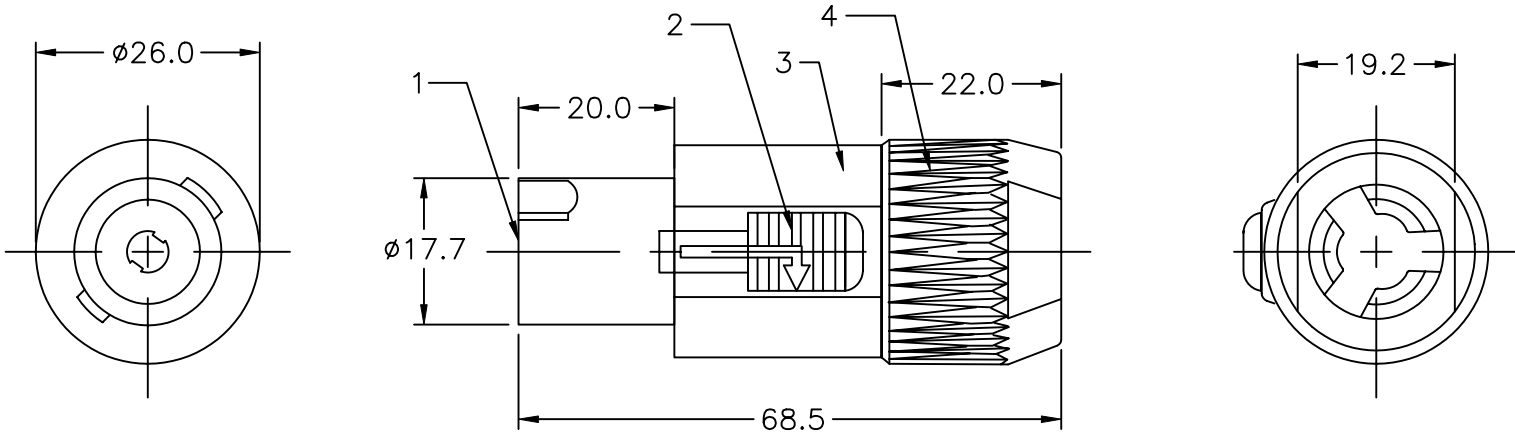
3

4

5

COMPONENT SPECIFICATION

USE OR REPRODUCTION OF THIS DRAWING FOR THE PURPOSE OF MANUFACTURING THIS ARTICLE OR ANY ARTICLES SHOWN FOR ANY PURPOSE IS STRICTLY PROHIBITED WITHOUT WRITTEN PERMISSION FROM SENIOR INDUSTRIES, INC.



SPECIFICATIONS:

ELECTRICAL:  
 CONTACT RATING: 30A  
 DIELECTRIC STRENGTH: 4000 VAC  
 RATED VOLTAGE: 250 VAC  
 CONTACT RESISTANCE: 3 MILLIOHMS MAX.  
 INSULATION RESISTANCE: 2000 MEGOHMS MIN.

MECHANICAL:  
 LIFE: 5000 CYCLES  
 CABLE RETENTION FORCE: 220N

ENVIRONMENTAL:  
 OPERATING TEMPERATURE: -30° TO +80°

ITEM	PART	QT'Y	MATERIAL/FINISH
1	PIN	1	PHOSPHOR BRASS, NICKEL PLATED
2	SWITCH	1	ZINC ALLOY, NICKEL PLATED
3	HOUSING	1	NYLON, BLACK
4	HOOD	1	ABS, BLUE

NOTES:

- 1. CABLE O.D. RANGE: 5-15MM
- 2. WIRING: CABLE: SCREWS WITH PROTECTION CUPS OR SOLDERING WIRE SIZE: 12 AWG STRANDED OR SOLID.



DESIGNED:			SYM.	DATE:	DESCRIPTION OF REVISIONS:	DRAWN:	APPD:	TOLERANCE:	PART NO:	SI-300SPM
DRAWN:	GAT	01/04/06	▲	01.04.06	NEW	GAT	JF			
CHECKED:	GAT	04/28/06	▲	04.27.06	Notes and Specifications added.	GAT	JF	TO 1 DECIMAL PLACE: ±.3	TITLE:	SPEAKER PLUG
APPROVED:	JF	04/28/06	▲					TO 2 DECIMAL PLACES: ±.12	SHEET:	1 OF 1
3RD ANGLE		UNIT:	mm	SCALE:	1:1	REV:	B	AS ANGLES:	±1/2°	