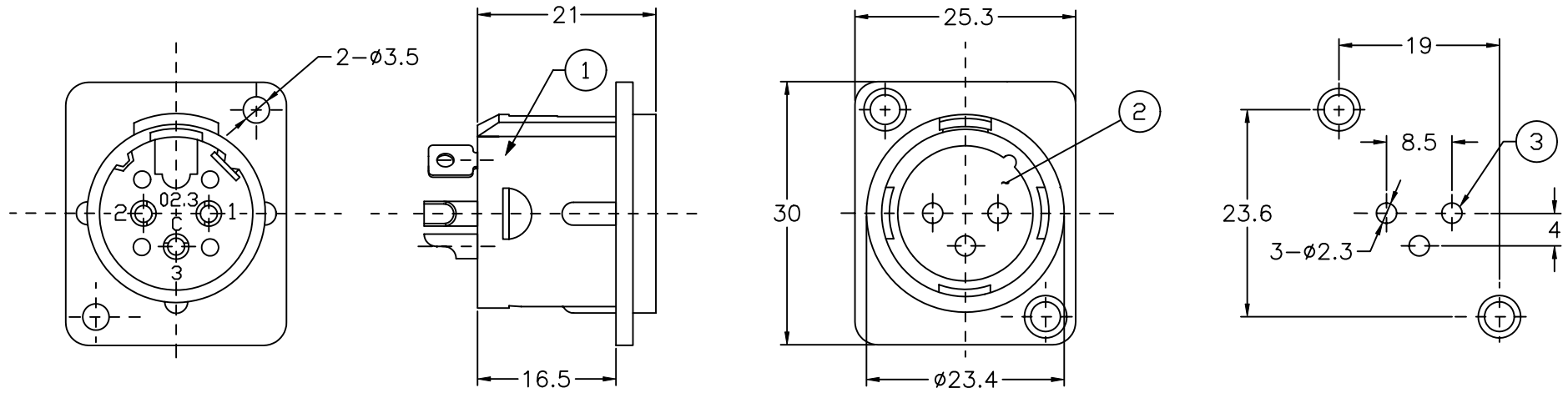


COMPONENT SPECIFICATION

USE OR REPRODUCTION OF THIS DRAWING FOR THE PURPOSE OF MANUFACTURING THIS ARTICLE OR ANY ARTICLES SHOWN FOR ANY PURPOSE IS STRICTLY PROHIBITED WITHOUT WRITTEN PERMISSION FROM SENIOR INDUSTRIES, INC.



Notes:

'X' in Part Number denotes Housing Finish: N - Nickel; B - Black.

ITEM	PART	QT'Y	MATERIAL/FINISH
1	HOUSING	1	ZINC DIE-CAST; NICKEL OR BLACK PLATED
2	INSERT INSULATOR	1	PPT; BLACK
3	PIN	3	PHOSPHOR COPPER; SILVER PLATED



DESIGNED:			SYM.	DATE:	DESCRIPTION OF REVISIONS:	DRAWN:	APPD:	TOLERANCE:	PART NO:	SI-306M-3-X-1
DRAWN:	GAT	05/12/05	▲	05.16.05	NEW	GAT	JF			
CHECKED:	GAT	01/04/06	▲	05.19.05	Corr pin platg: Ag only & PN w/ SI-306M-3-X-1	GAT	JF	AS ANGLES: \pm	SHEET:	1 OF 2
APPROVED:	JF	01/04/06	▲	01.04.06	Side holes dia. of 3.5 shown in 2 pls.	GAT	JF			
3RD ANGLE		UNIT:	mm	SCALE:	1.5:1	REV:	C			

1

2

3

4

5

COMPONENT
SPECIFICATIONUSE OR REPRODUCTION OF THIS DRAWING FOR THE PURPOSE OF MANUFACTURING THIS
ARTICLE OR ANY ARTICLES SHOWN FOR ANY PURPOSE IS STRICTLY PROHIBITED WITHOUT
WRITTEN PERMISSION FROM SENIOR INDUSTRIES, INC.SPECIFICATIONSELECTRICAL:

CONTACT RATING: 15A @ 125VAC
 CONTACT RESISTANCE: 5 MILLIOHMS MAX.
 INSULATION RESISTANCE: 5000 MEGOHMS MIN. @ 500VDC
 DIELECTRIC STRENGTH: 1400VAC
 CAPACITANCE: 4pF MAX.

MECHANICAL:

INSERTION FORCE: 1.0 - 8.0 Kg
 WITHDRAWAL FORCE: 1.0 - 8.0 Kg

ENVIRONMENTAL:

OPERATING TEMPERATURE: -55°C TO +70°C


**SENIOR
INDUSTRIES, INC.**

DESIGNED:			SYM.	DATE:	DESCRIPTION OF REVISIONS:	DRAWN:	APPD:	TOLERANCE:	PART NO:	SI-306M-3-X-1
DRAWN:	GAT	05/12/05	△	05.16.05	NEW	GAT	JF			
CHECKED:	GAT	01/04/06	△	05.19.05	Corr pin platg: Ag only & PN w/ SI-306M-3-X-1	GAT	JF			
APPROVED:	JF	01/04/06	△	01.04.06	Side holes dia. of 3.5 shown in 2 plcs.	GAT	JF	AS ANGLES: ±	SHEET:	2 OF 2
3RD ANGLE		UNIT:	mm	SCALE:	1.5:1	REV:	C			

A

B

C