

COMPONENT SPECIFICATION

USE OR REPRODUCTION OF THIS DRAWING FOR THE PURPOSE OF MANUFACTURING THIS ARTICLE OR ANY ARTICLES SHOWN FOR ANY PURPOSE IS STRICTLY PROHIBITED WITHOUT WRITTEN PERMISSION FROM SENIOR INDUSTRIES, INC.

SPECIFICATIONS

ELECTRICAL:

CONTACT RATING: 15A @ 125VAC  
 CONTACT RESISTANCE: 5 MILLIOHMS MAX.  
 INSULATION RESISTANCE: 5000 MEGOHMS MIN. @ 500VDC  
 DIELECTRIC STRENGTH: 1400VAC  
 CAPACITANCE: 4pF MAX.

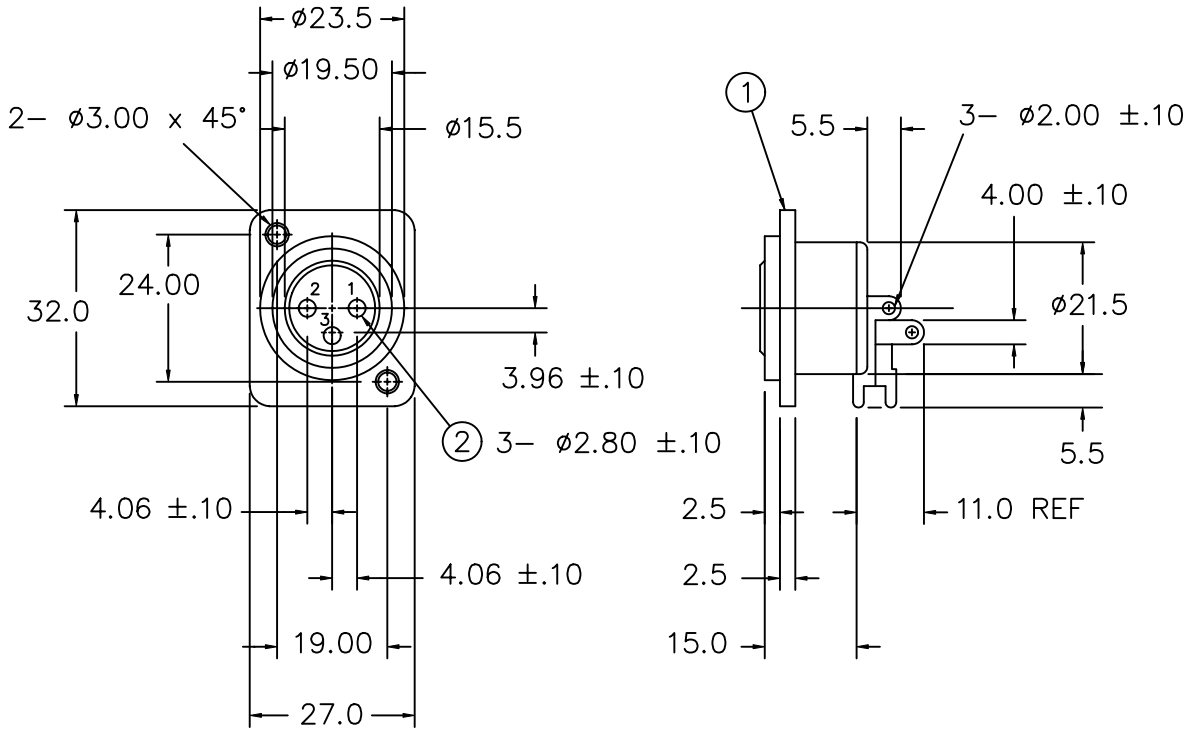
MECHANICAL:

INSERTION FORCE: 1.0 - 8.0 Kg  
 WITHDRAWAL FORCE: 1.0 - 8.0 Kg

ENVIRONMENTAL:

OPERATING TEMPERATURE: -55°C TO +70°C

NOTE: 'X' IN PART NUMBER DENOTES CONTACTS PLATING:  
 1 - SILVER ; 3 - GOLD.



ITEM	PART	QT'Y	MATERIAL/FINISH
1	HOUSING	1	PPO-1; BLACK
2	SOCKET	3	PHOSPHOR BRONZE; SILVER OR GOLD PLATED



**SENIOR INDUSTRIES, INC.**

DESIGNED:			SYM.	DATE:	DESCRIPTION OF REVISIONS:	DRAWN:	APPD:	TOLERANCE:	PART NO:	SI-307-3-B-X	
DRAWN:	KRM	04/08/93	▲	09.01.93	NEW	TF					TO 1 DECIMAL PLACE: ±0.4 TO 2 DECIMAL PLACES: ±0.20
CHECKED:			▲	05.10.05	Rem'd UL94V-0 rating from Housing material	GAT		AS ANGLES: ±	SHEET:	1 OF 1	
APPROVED:			▲	05.18.05	Rem'd 4,5,7 pin opts & NI plating on housing; Chg'd PN	GAT					
3RD ANGLE			UNIT:	mm	SCALE:	1:1	REV:	C			