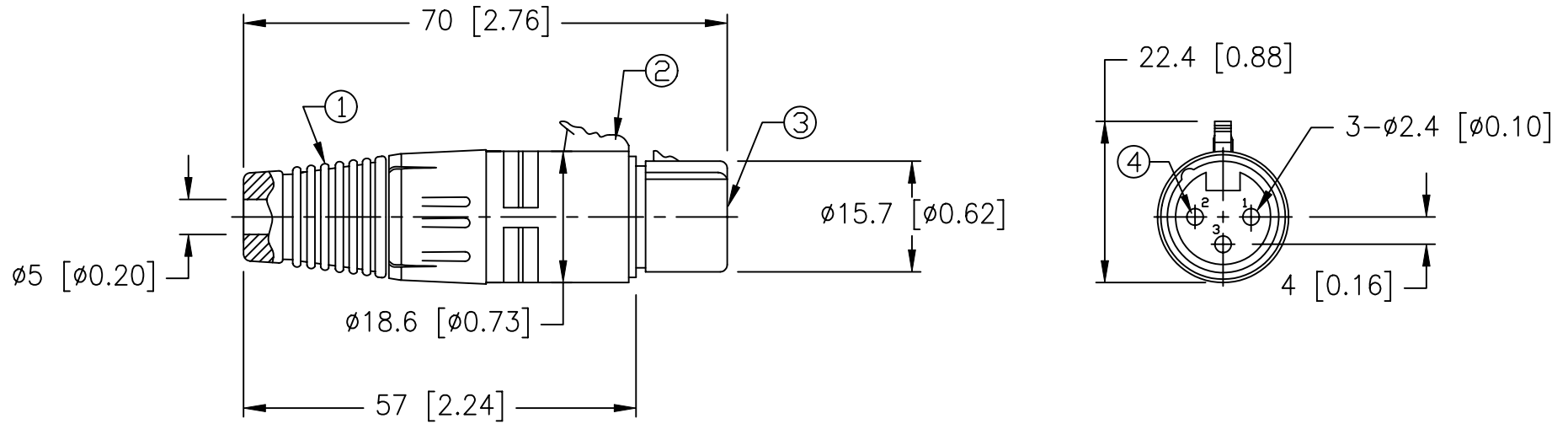


COMPONENT SPECIFICATION

USE OR REPRODUCTION OF THIS DRAWING FOR THE PURPOSE OF MANUFACTURING THIS ARTICLE OR ANY ARTICLES SHOWN FOR ANY PURPOSE IS STRICTLY PROHIBITED WITHOUT WRITTEN PERMISSION FROM SENIOR INDUSTRIES, INC.



Note:

'X' in Part Number denotes Housing Finish: N - Nickel; B - Black

ITEM	PART	QTY	MATERIAL/FINISH
1	STRAIN RELIEF	1	NYLON; BLACK
2	HOUSING	1	ZINC DIE-CAST; NICKEL OR BLACK PLATED
3	INSERT INSULATOR	1	PPT; BLACK
4	SOCKET	3	PHOSPHOR COPPER; SILVER PLATED



SENIOR INDUSTRIES, INC.

DESIGNED:			SYM.	DATE:	DESCRIPTION OF REVISIONS:	DRAWN:	APPD:	TOLERANCE:	PART NO:	SI-309F-3-X-1
DRAWN:	GAT	08/13/04	▲	08.13.04	NEW	RB				
CHECKED:			▲	05.18.05	Gen. view/dims/mat. info updated; Spec. added	GAT		AS ANGLES:	SHEET:	1 OF 2
APPROVED:			▲	.	.					
3RD ANGLE		UNIT:	mm [IN]	SCALE:	1:1	REV:	B			

1

2

3

4

5

COMPONENT SPECIFICATION

USE OR REPRODUCTION OF THIS DRAWING FOR THE PURPOSE OF MANUFACTURING THIS ARTICLE OR ANY ARTICLES SHOWN FOR ANY PURPOSE IS STRICTLY PROHIBITED WITHOUT WRITTEN PERMISSION FROM SENIOR INDUSTRIES, INC.

SPECIFICATIONS

ELECTRICAL:

CONTACT RATING: 15A @ 125VAC
 CONTACT RESISTANCE: 5 MILLIOHMS MAX.
 INSULATION RESISTANCE: 5000 MEGOHMS MIN. @ 500VDC
 DIELECTRIC STRENGTH: 1400VAC
 CAPACITANCE: 4pF MAX.

MECHANICAL:

INSERTION FORCE: 1.0 – 8.0 Kg
 WITHDRAWAL FORCE: 1.0 – 8.0 Kg

ENVIRONMENTAL:

OPERATING TEMPERATURE: -55°C TO +70°C



SENIOR INDUSTRIES, INC.

DESIGNED:			SYM.	DATE:	DESCRIPTION OF REVISIONS:	DRAWN:	APPD:		PART NO:	SI-309F-3-X-1
DRAWN:	GAT	08/13/04	▲	08.13.04	NEW	RB			TITLE:	XLR PLUG
CHECKED:			▲	05.18.05	Gen. view/dims/mat. info updated; Spec. added	GAT			TO 1 DECIMAL PLACE: ±	
APPROVED:			▲	.	.				TO 2 DECIMAL PLACES: ±	
			▲	.	.				AS ANGLES: ±	
3RD ANGLE			UNIT:	mm[IN]	SCALE:		REV:	B	SHEET:	2 OF 2