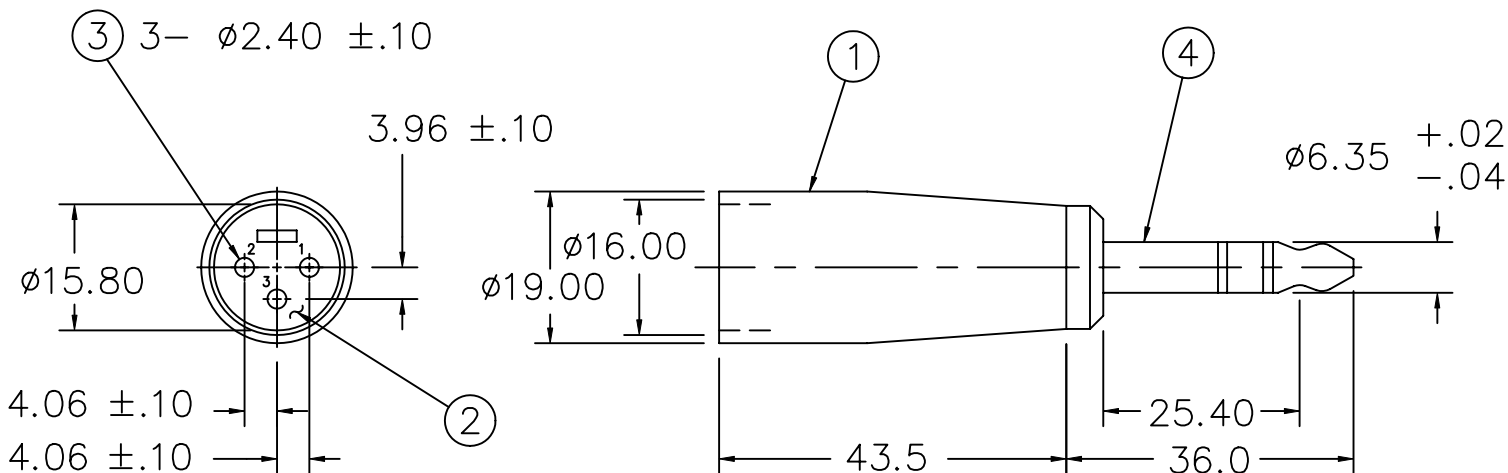


UNLESS OTHERWISE SPECIFIED, ALL DIMENSIONS ARE IN METRIC.  
 DIMENSIONS OTHER THAN SIZE OF RAW MATERIAL SHALL BE  
 HELD AS FOLLOWS WHEN EXPRESSED.

TO 1 DECIMAL PLACE ±0.4  
 TO 2 DECIMAL PLACES ±0.20  
 AS ANGLES ?

ISSUE	DATE	AUTH.
A	09/01/93	A1082



WIRING SCHEMATIC		
PIN 1	-	GROUND
PIN 2	-	TIP
PIN 3	-	RING

ITEM	PART	MATERIAL/FINISH
1	HOUSING	ZINC DIE CAST; NICKEL, BLACK NICKEL, OR GOLD PLATED
2	INSERT INSULATOR	PPO-1 UL94V-0 RATED; GRAY
3	PIN	BRASS; SILVER OR GOLD PLATED
4	PHONE PLUG	BRASS; NICKEL PLATED



TITLE:		XLR ADAPTER		PART NO:		SI-313-X-X	
DATE:	04/08/93	DRAWN:	KRM	CHKD:	SCALE:	1/1	SHEET:
						1 OF 1	