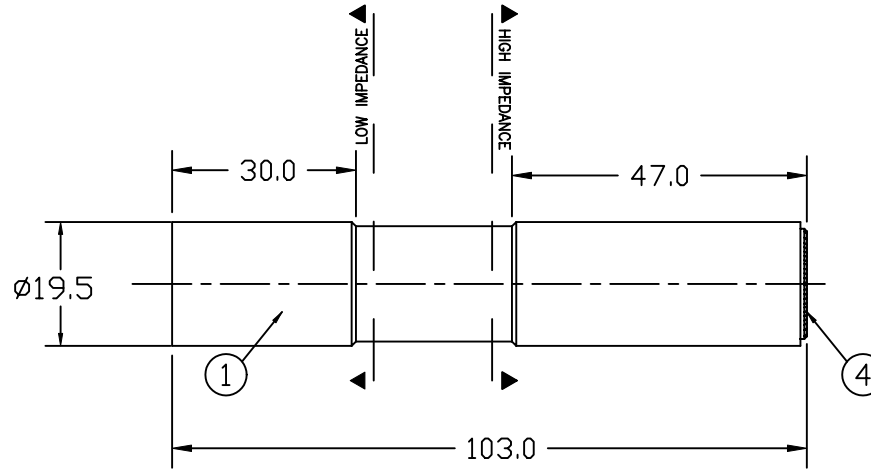
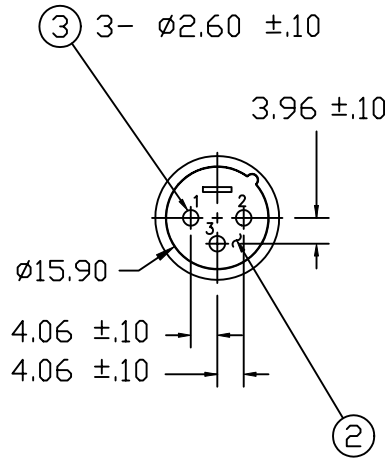


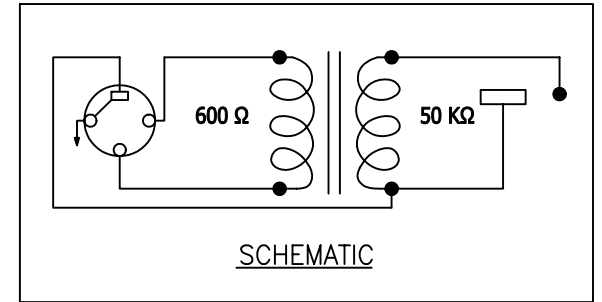
COMPONENT SPECIFICATION

USE OR REPRODUCTION OF THIS DRAWING FOR THE PURPOSE OF MANUFACTURING THIS ARTICLE OR ANY ARTICLES SHOWN FOR ANY PURPOSE IS STRICTLY PROHIBITED WITHOUT WRITTEN PERMISSION FROM SENIOR INDUSTRIES, INC.



NOTES:

- 'X' IN PART NUMBER DENOTES HOUSING FINISH:
N-NICKEL; B-BLACK NICKEL
- SET SCREWS REMAIN CAPTIVE TO HOUSING.



NOTE: IMPEDANCE MATCHING TRANSFORMER

ITEM	PART	QT'Y	MATERIAL/FINISH
1	HOUSING	1	ZINC DIE-CAST; NICKEL OR BLACK NICKEL PLATED
2	INSERT INSULATOR	1	PPT; GRAY
3	PIN	3	PHOSPHOR BRONZE; SILVER
4	2 CONDUCTOR PHONE JACK	1	BRASS; NICKEL PLATED



SENIOR INDUSTRIES, INC.

DESIGNED:	DATE:	DESCRIPTION OF REVISIONS:	DRAWN:	APPD:
GAT	09/13/05	NEW	GAT	JF
GAT	09/13/05			
JF	09/14/05			

TOLERANCE:

TO 1 DECIMAL PLACE: ±.4
TO 2 DECIMAL PLACES: ±.20

PART NO:

SI-314T-X-1

TITLE:

AUDIO ADAPTER

3RD ANGLE

UNIT: mm

SCALE: 1:1

REV: A

AS ANGLES: ±

SHEET:

1 OF 1