

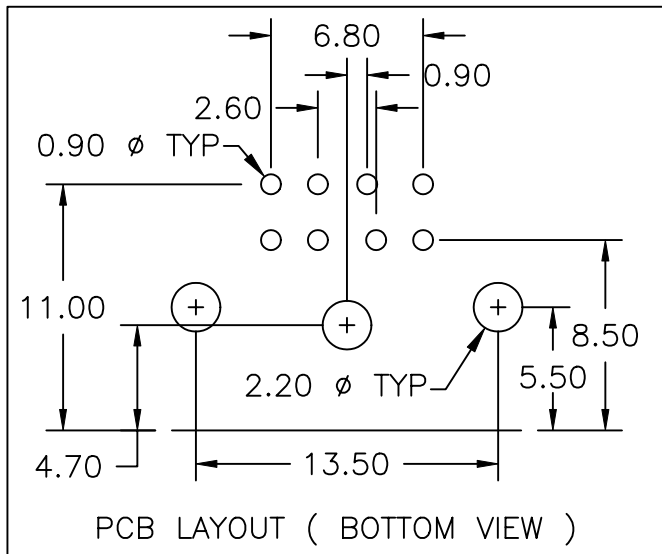
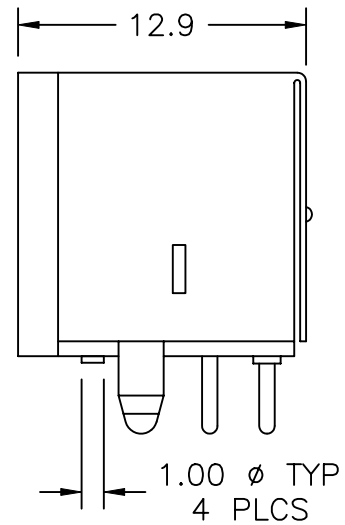
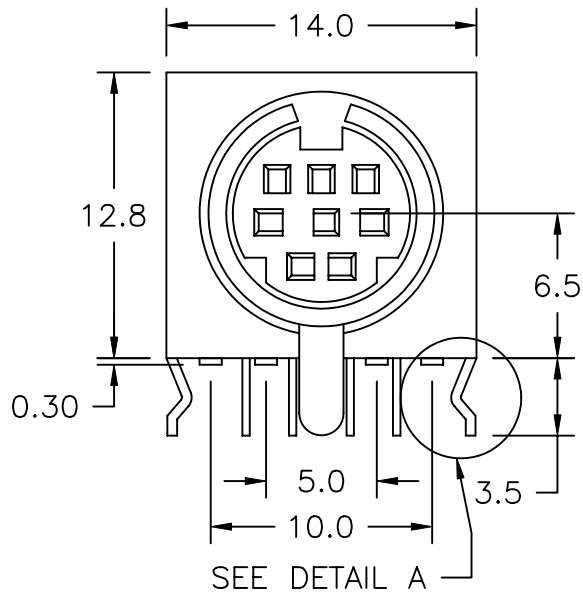
UNLESS OTHERWISE SPECIFIED, ALL DIMENSIONS ARE IN METRIC.

TO 1 DECIMAL PLACE ±.3
 TO 2 DECIMAL PLACES ±.13
 AS ANGLES ±1/2°

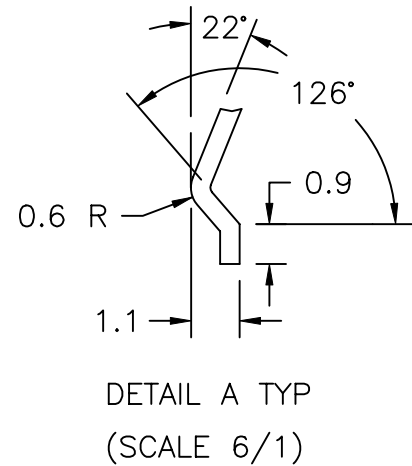
ISSUE
 A

DATE

03/28/97



PCB LAYOUT (BOTTOM VIEW)



DETAIL A TYP
 (SCALE 6/1)

NOTE: 'X' DENOTES NUMBER OF CONTACTS

5	SHIELD	STEEL 0.4MM THICK - TIN PLATED
4	CONTACT	PHOSPHOR BRONZE 0.2MM THICK - SILVER PLATED
3	GROUND	BRASS 0.4MM THICK - TIN PLATED
2	COVER	PBT - 30% GLASS, UL94V-0, BLACK
1	HOUSING	PBT - 30% GLASS, UL94V-0, BLACK
ITEM	DESCRIPTION	MATERIAL/FINISH

SR SENIOR INDUSTRIES, INC.

TITLE: DIN RECEPTACLE

PART NO: SI-356-X

DATE: 03/28/97

DRAWN: HV

CHKD: JF

SCALE: 3/1

SHEET: 1 OF 2

UNLESS OTHERWISE SPECIFIED, ALL DIMENSIONS ARE IN METRIC.

TO 1 DECIMAL PLACE ±
TO 2 DECIMAL PLACES ±
AS ANGLES ± °

ISSUE

DATE

A

03/28/97

SPECIFICATIONS

ELECTRICAL

CONTACT RATING: 1A @ 100VAC, 2A @ 12VDC
CONTACT RESISTANCE: 30 MILLIOHMS MAX.
INSULATION RESISTANCE: 50 MEGOHMS MIN. AT 250 VDC
DIELECTRIC STRENGTH: 250VAC FOR 1 MINUTE

MECHANICAL

INSERTION FORCE: 1.0 – 4.5 Kg
WITHDRAWAL FORCE: 0.8 – 3.0 Kg
LIFE: 5000 CYCLES MIN.



**SENIOR
INDUSTRIES, INC.**

TITLE:

DIN RECEPTACLE

PART NO:

SI-356-X

DATE:

03/28/97

DRAWN:

HV

CHKD:

JF

SCALE:

SHEET:

2 OF 2