

UNLESS OTHERWISE SPECIFIED, ALL DIMENSIONS ARE IN METRIC.

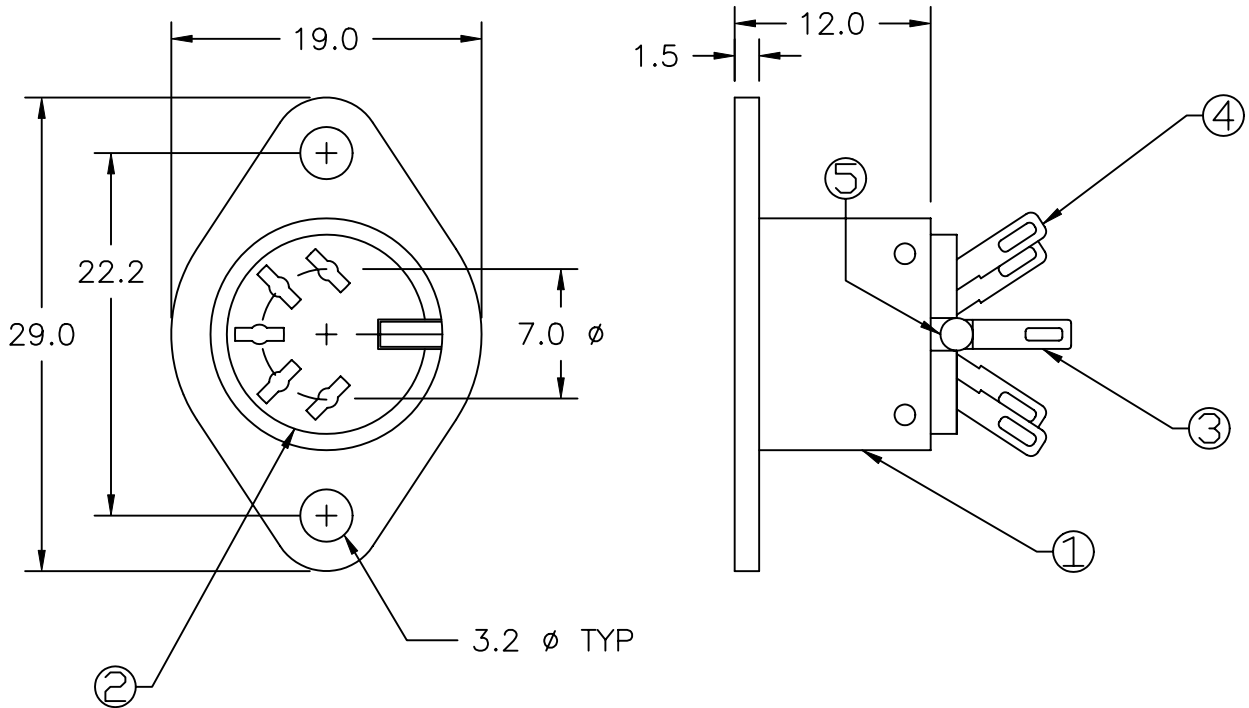
TO 1 DECIMAL PLACE ±.3
 TO 2 DECIMAL PLACES ±.13
 AS ANGLES ±1/2°

ISSUE

DATE

A

03/16/98



NOTE: 'X' IN PART NUMBER DENOTES NUMBER OF CONTACTS.

5	RIVET	ALUMINUM, NICKEL PLATED
4	CONTACT TERMINAL	0.7MM BRASS, TIN PLATED
3	GROUND TERMINAL	0.25MM PHOSPHOR BRONZE, TIN PLATED
2	INSERT	PBT, UL94V-0
1	HOUSING	0.4MM STEEL, NICKEL PLATED
ITEM	DESCRIPTION	MATERIAL/FINISH

SR SENIOR INDUSTRIES, INC.

TITLE:

DIN RECEPTACLE

PART NO:

SI-357-X

DATE:

02/24/98

DRAWN:

HV

CHKD:

JF

SCALE:

2/1

SHEET:

1 OF 2

UNLESS OTHERWISE SPECIFIED, ALL DIMENSIONS ARE IN METRIC.

TO 1 DECIMAL PLACE ±
TO 2 DECIMAL PLACES ±
AS ANGLES ± °

ISSUE

DATE

A

03/16/98

SPECIFICATIONS

ELECTRICAL

CONTACT RATING: 1A @ 100VAC, 2A @ 12VDC
CONTACT RESISTANCE: 30 MILLIOHMS MAX.
INSULATION RESISTANCE: 50 MEGOHMS MIN. AT 250 VDC
DIELECTRIC STRENGTH: 250VAC FOR 60 SECONDS

MECHANICAL

INSERTION FORCE: 1.0 – 4.5 Kg
WITHDRAWAL FORCE: 0.8 – 3.0 Kg
LIFE: 5000 CYCLES MIN.



**SENIOR
INDUSTRIES, INC.**

TITLE:

DIN RECEPTACLE

PART NO:

SI-357-X

DATE:

02/24/98

DRAWN:

HV

CHKD:

JF

SCALE:

SHEET:

2 OF 2