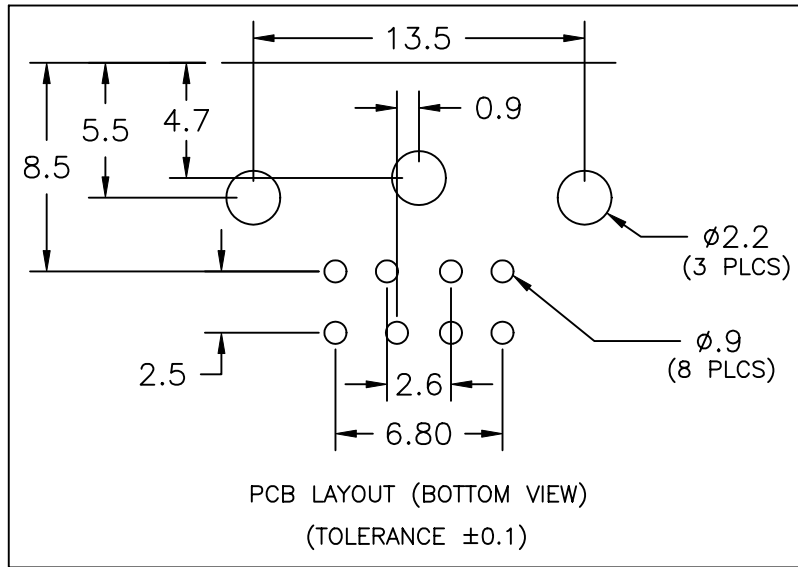
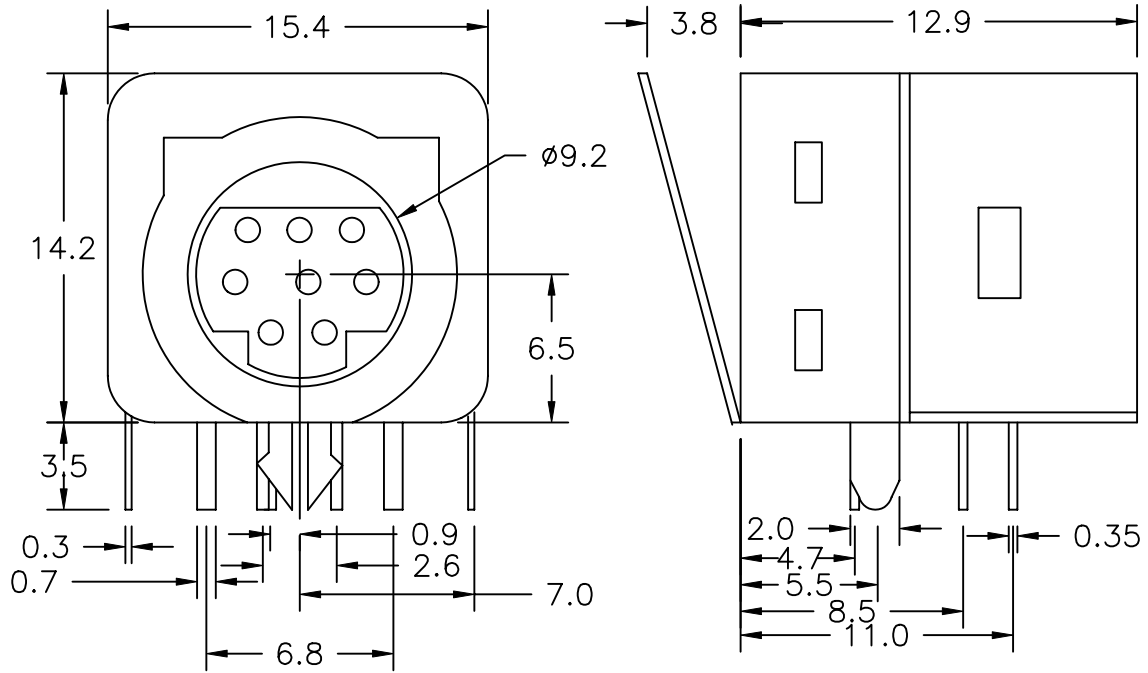


UNLESS OTHERWISE SPECIFIED, ALL DIMENSIONS ARE IN METRIC.

TO 1 DECIMAL PLACE  $\pm 0.3$   
 TO 2 DECIMAL PLACES  $\pm 0.13$   
 AS ANGLES  $\pm 1/2^\circ$

ISSUE	DATE
C	01/25/01
D	04/27/01



NOTE: 'X' IN PART NUMBER DENOTES NUMBER OF CONTACTS.

5	SHIELD	BRASS - NICKEL PLATED
4	CONTACT	PHOSPHOR BRONZE - SILVER PLATED
3	GROUND	BRASS - TIN PLATED
2	COVER	PBT - UL94V-0 - BLACK
1	HOUSING	PBT - UL94V-0 - BLACK
ITEM	DESCRIPTION	MATERIAL/FINISH

UNLESS OTHERWISE SPECIFIED, ALL DIMENSIONS ARE IN METRIC.

TO 1 DECIMAL PLACE  $\pm$   
TO 2 DECIMAL PLACES  $\pm$   
AS ANGLES  $\pm$

ISSUE	DATE
C	01/25/01
D	04/27/01

### SPECIFICATIONS

#### ELECTRICAL

CONTACT RATING: 1A @ 100VAC, 2A @ 12VDC  
CONTACT RESISTANCE: 30 MILLIOHMS MAX.  
INSULATION RESISTANCE: 50 MEGOHMS MIN. AT 250 VDC  
DIELECTRIC STRENGTH: 250VAC FOR 1 MINUTE

#### MECHANICAL

INSERTION FORCE: 1.0 – 4.5 Kg  
WITHDRAWAL FORCE: 0.8 – 3.0 Kg  
LIFE: 5000 CYCLES MIN.



TITLE: DIN RECEPTACLE		PART NO: SI-358-X			
DATE: 5/17/00	DRAWN: RB	CHKD:	SCALE: N/A	SHEET: 2 OF 2	