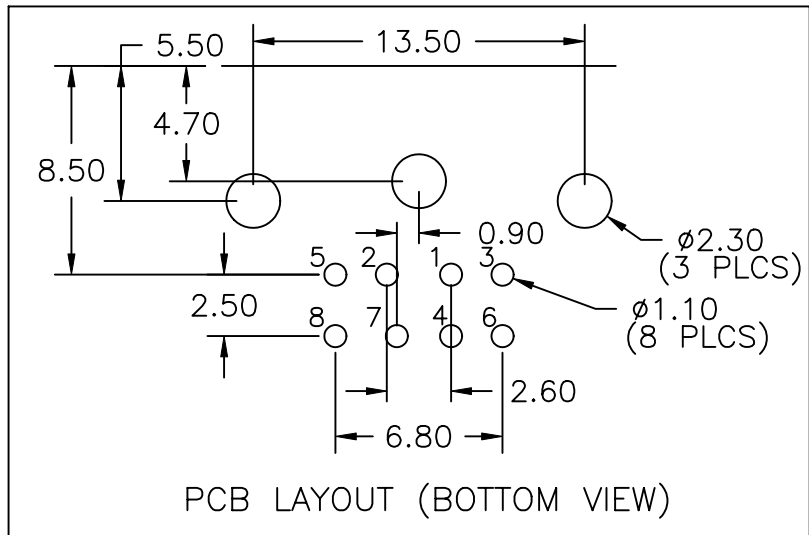
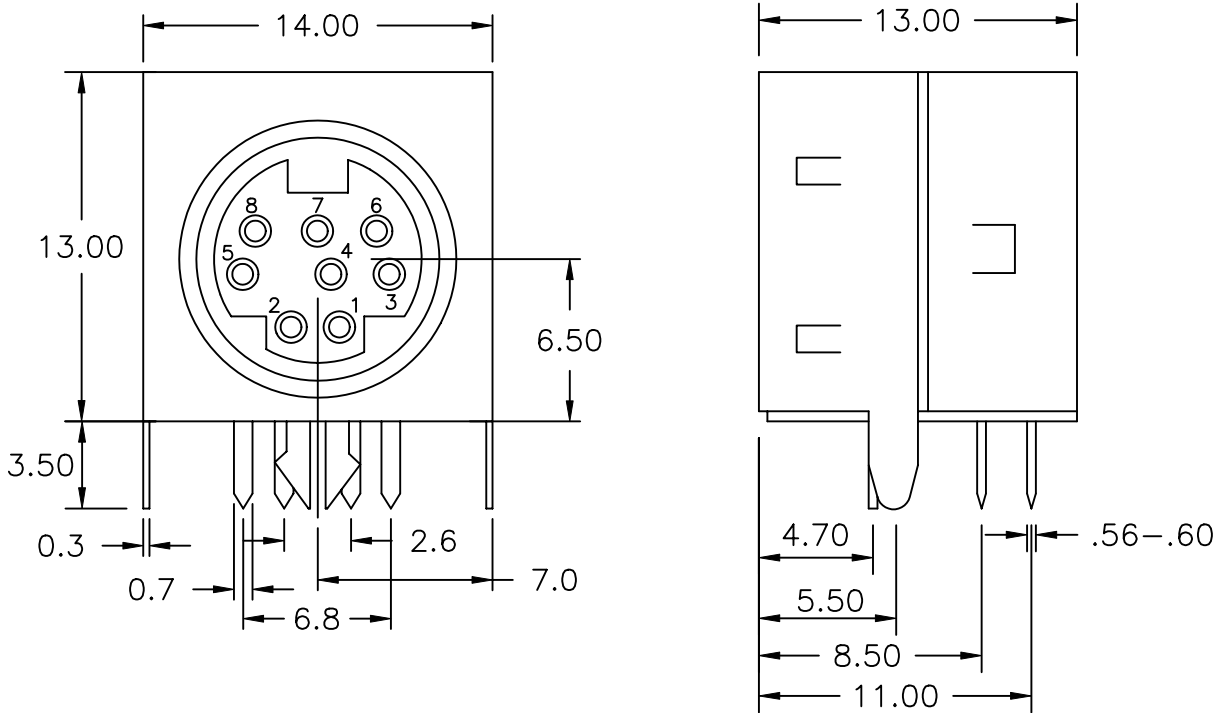


UNLESS OTHERWISE SPECIFIED, ALL DIMENSIONS ARE IN METRIC.

TO 1 DECIMAL PLACE ±0.3  
 TO 2 DECIMAL PLACES ±0.12  
 AS ANGLES ±1/2°

ISSUE	DATE
A	08/11/00
B	10/06/04



NOTE: FIRST 'X' IN PART NUMBER DENOTES NUMBER OF CONTACTS.  
 SECOND 'X' IN PART NUMBER DENOTES COLOR.

5	SHIELD	BRASS - NICKEL PLATED
4	TERMINALS	PHOSPHOR BRONZE - TIN OVER SILVER
3	GROUND	BRASS - TIN PLATED
2	COVER	PBT - UL94V-0 - BLACK
1	HOUSING	PBT - UL94V-0 - BLACK
ITEM	DESCRIPTION	MATERIAL/FINISH



TITLE: DIN RECEPTACLE		PART NO: SI-362-X-X	
DATE: 08/10/00	DRAWN: RB	CHKD:	SCALE: 3/1
		SHEET: 1 OF 2	

UNLESS OTHERWISE SPECIFIED, ALL DIMENSIONS ARE IN INCHES [MM].

TO 1 DECIMAL PLACE ±  
TO 2 DECIMAL PLACES ±  
AS ANGLES ±

ISSUE	DATE
A	08/11/00
B	10/06/04

## SPECIFICATIONS

### ELECTRICAL

CONTACT RATING: 1A @ 100VAC, 2A @ 12VDC  
CONTACT RESISTANCE: 30 MILLIOHMS MAX.  
INSULATION RESISTANCE: 50 MEGOHMS MIN. AT 250 VDC  
DIELECTRIC STRENGTH: 250VAC FOR 1 MINUTE

### MECHANICAL

INSERTION FORCE: 1.0 – 4.5 Kg  
WITHDRAWAL FORCE: 0.8 – 3.0 Kg  
LIFE: 5000 CYCLES MIN.



TITLE: DIN RECEPTACLE

PART NO: SI-362-X-X

DATE: 08/11/00

DRAWN: RB

CHKD:

SCALE: N/A

SHEET: 2 OF 2