

1	2	3	4
COMPONENT SPECIFICATION	USE OR REPRODUCTION OF THIS DRAWING FOR THE PURPOSE OF MANUFACTURING THIS ARTICLE OR ANY ARTICLES SHOWN FOR ANY PURPOSE IS STRICTLY PROHIBITED WITHOUT WRITTEN PERMISSION FROM SENIOR INDUSTRIES, INC.		

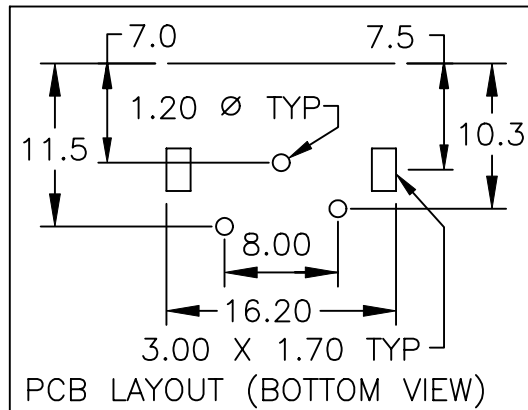
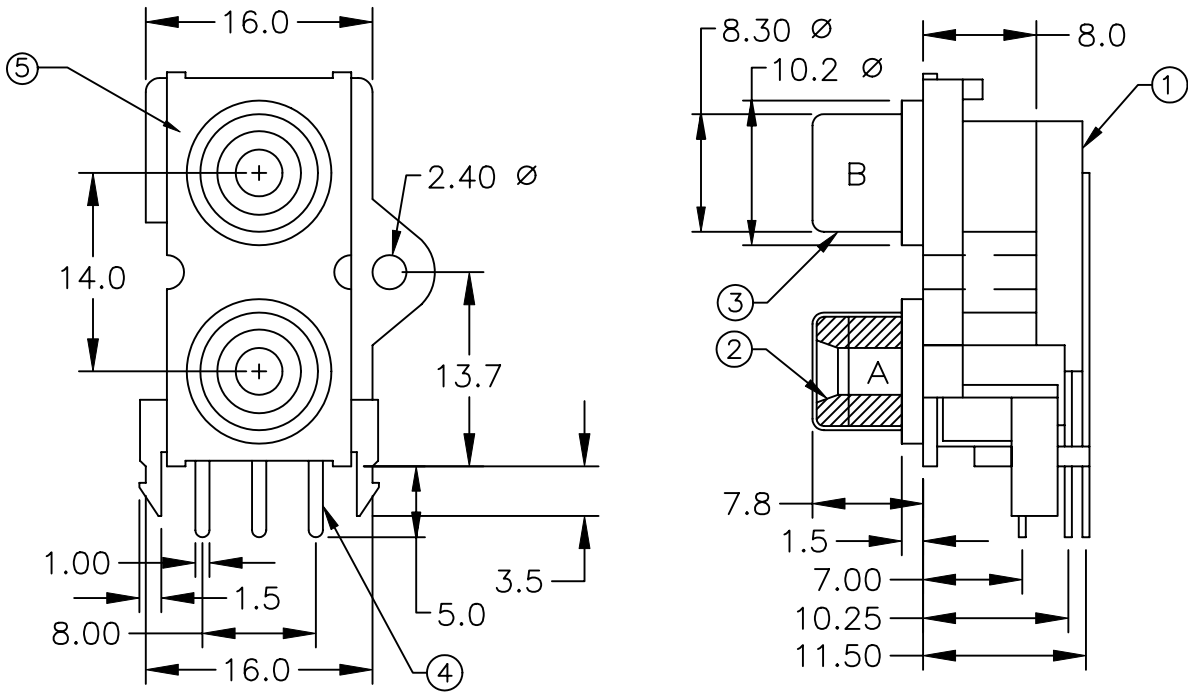
A

B

C

D

E



NOTE: FIRST 'X' DENOTES COLOR CODE FOR A
SECOND 'X' DENOTES COLOR CODE FOR B

5	FACEPLATE	ABS, UL94HB - BLACK
4	TIP	BRASS 0.5MM THICK - TIN PLATED
3	SLEEVE	BRASS 0.5MM THICK - NICKEL PLATED
2	INSULATOR	ABS, UL94HB
1	HOUSING	ABS, UL94HB - WHITE
ITEM	DESCRIPTION	MATERIAL/FINISH

DESIGNED:			SYM.	DATE	DESCRIPTION OF REVISIONS	DRAWN	APPD.		
DRAWN:	HV	04/03/97	▲	04.03.97	NEW	HV	TF		
CHECKED:	GAT	08/12/05	▲	07.01.05	Removed 'Lead' from TIP finishing type. New Indicator	GAT	JF		
APPROVED:	JF	08/12/05	▲	08.12.05	PN corr; Note, No 5 item & White color on housing added	GAT	JF		
			▲						
3RD ANGLE				UNIT:	mm	SCALE:	2:1	REV.	C



TOLERANCE:	PART NO:
TO 1 DECIMAL PLACE: ±.3	SI-372-X-X
TO 2 DECIMAL PLACES: ±.13	TITLE:
AS ANGLES: ±1/2'	PHONO JACK
SHEET:	1 OF 2

1

2

3

4

COMPONENT
SPECIFICATIONUSE OR REPRODUCTION OF THIS DRAWING FOR THE PURPOSE OF MANUFACTURING THIS
ARTICLE OR ANY ARTICLES SHOWN FOR ANY PURPOSE IS STRICTLY PROHIBITED WITHOUT
WRITTEN PERMISSION FROM SENIOR INDUSTRIES, INC.SPECIFICATIONS:ELECTRICAL:

CONTACT RESISTANCE: 30 MILLIOHMS MAX.
 INSULATION RESISTANCE: 100 MEGOHMS MIN. AT 500 VDC
 DIELECTRIC STRENGTH: 500 VAC FOR 60 SECONDS

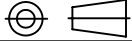
MECHANICAL:

INSERTION FORCE: 3.0 Kg MAX.
 WITHDRAWAL FORCE: 0.8 - 3.0 Kg
 LIFE: 5000 CYCLES

NOTE: THE COLOR OPTIONS FOR THE A AND B INSULATOR
 ARE AS FALLOWS:

1. BLUE
2. RED
3. BLACK
4. BROWN
5. GREEN
6. WHITE
7. GRAY
8. ORANGE
9. YELLOW
10. VIOLET
11. IVORY/NEUTRAL

DESIGNED:			SYM.	DATE	DESCRIPTION OF REVISIONS	DRAWN	APPD.
DRAWN:	HV	04/03/97	△	04.03.97	NEW	HV	TF
CHECKED:	GAT	08/12/05	△	07.01.05	Removed 'Lead' from TIP finishing type. New Indicator	GAT	JF
APPROVED:	JF	08/12/05	△	08.12.05	PN corr; Note, No 5 idem & White color on housing added	GAT	JF
			△	.	.		
			△	.	.		

3RD ANGLE		UNIT:	mm	SCALE:		REV.	C
-----------	---	-------	----	--------	--	------	---



**SENIOR
INDUSTRIES, INC.**

TOLERANCE:

TO 1 DECIMAL PLACE: ±

TO 2 DECIMAL PLACES: ±

AS ANGLES: ±

SHEET:

PART NO:

SI-372-X-X

TITLE:

PHONO JACK

2 OF 2