

1	2	3	4
COMPONENT SPECIFICATION	USE OR REPRODUCTION OF THIS DRAWING FOR THE PURPOSE OF MANUFACTURING THIS ARTICLE OR ANY ARTICLES SHOWN FOR ANY PURPOSE IS STRICTLY PROHIBITED WITHOUT WRITTEN PERMISSION FROM SENIOR INDUSTRIES, INC.		

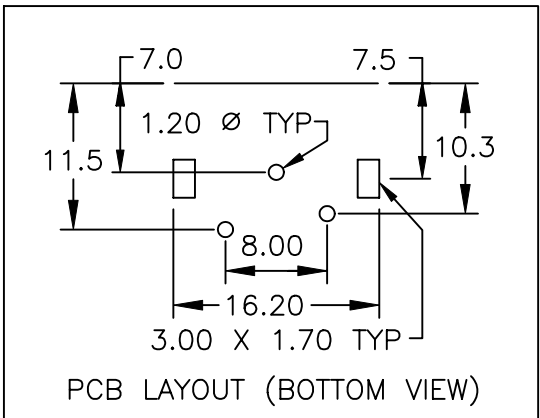
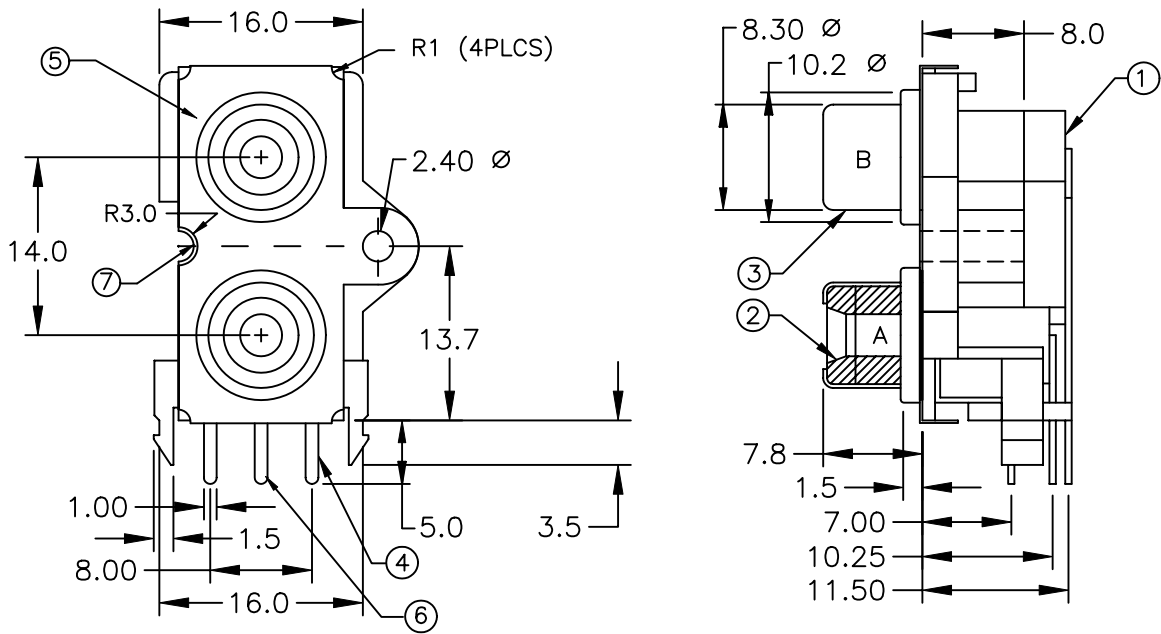
A

B

C

D

E



NOTE: FIRST 'X' DENOTES COLOR CODE FOR BOTTOM INSULATOR
 SECOND 'X' DENOTES COLOR CODE FOR TOP INSULATOR

7	FACEPLATE	ABS, UL94HB - BLACK
6	SLEEVE PIN	BRASS 0.4mm THICK - GOLD PLATED
5	METAL FACEPLATE	BRASS 0.2mm THICK - NICKEL PLATED
4	TIP	BRASS 0.5mm THICK - TIN PLATED
3	SLEEVE	BRASS 0.5mm THICK - GOLD PLATED
2	INSULATOR	ABS, UL94HB
1	HOUSING	ABS, UL94HB - BLACK
ITEM	DESCRIPTION	MATERIAL/FINISH

DESIGNED:			SYM.	DATE	DESCRIPTION OF REVISIONS	DRAWN	APPD.
DRAWN:	HV	04/03/97	▲	04.03.97	NEW	TF	JF
CHECKED:	GAT	08/15/05	▲	11.04.04	Added: Index, No. 5&6: 'Au Pl' on No3 & 'BLACK' to No1, Note	GAT	TF
APPROVED:	JF	08/15/05	▲	07.01.05	Rem'd 'Lead' from TIP finishing type.	GAT	JF
			▲	08.15.05	Faceplate spec added, Note on page 2	GAT	JF

3RD ANGLE		UNIT:	mm	SCALE:	2:1	REV.	D
-----------	--	-------	----	--------	-----	------	---



TOLERANCE:	PART NO: SI-372-X-X-G
TO 1 DECIMAL PLACE: ±.3	TITLE: PHONO JACK
TO 2 DECIMAL PLACES: ±.13	
AS ANGLES: ±1/2'	
SHEET:	1 OF 2

1

2

3

4

COMPONENT
SPECIFICATIONUSE OR REPRODUCTION OF THIS DRAWING FOR THE PURPOSE OF MANUFACTURING THIS
ARTICLE OR ANY ARTICLES SHOWN FOR ANY PURPOSE IS STRICTLY PROHIBITED WITHOUT
WRITTEN PERMISSION FROM SENIOR INDUSTRIES, INC.

A

SPECIFICATIONSELECTRICAL

CONTACT RESISTANCE: 30 MILLIOHMS MAX.
 INSULATION RESISTANCE: 100 MEGOHMS MIN. AT 500 VDC
 DIELECTRIC STRENGTH: 500 VAC FOR 60 SECONDS

B

MECHANICAL

INSERTION FORCE: 3.0 Kg MAX.
 WITHDRAWAL FORCE: 0.8 - 3.0 Kg
 LIFE: 5000 CYCLES

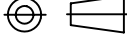
C

NOTE: THE COLOR OPTIONS FOR THE A AND B INSULATOR
 ARE AS FOLLOWS:

1. BLUE
2. RED
3. BLACK
4. BROWN
5. GREEN
6. WHITE
7. GRAY
8. ORANGE
9. YELLOW
10. VIOLET
11. IVORY/NEUTRAL

D

E

DESIGNED:			SYM.	DATE	DESCRIPTION OF REVISIONS	DRAWN	APPD.	
DRAWN:	HV	04/03/97	△	04.03.97	NEW	TF	JF	
CHECKED:	GAT	08/15/05	△	11.04.04	Added: Index, No. 5&6, 'Au Pl' on No3 & 'BLACK' on No1, Note	GAT	TF	
APPROVED:	JF	08/15/05	△	07.01.05	Rem'd 'Lead' from TIP finishing type.	GAT	JF	
			△	08.15.05	Faceplate spec added, Note on page 2	GAT	JF	
			△					
3RD ANGLE			UNIT:		mm	SCALE:	REV.	D

TOLERANCE:

PART NO:

SI-372-X-X-G

**SENIOR
INDUSTRIES, INC.**

TO 1 DECIMAL PLACE: ±

TITLE:

TO 2 DECIMAL PLACES: ±

PHONO JACK

AS ANGLES: ±

SHEET:

2 OF 2