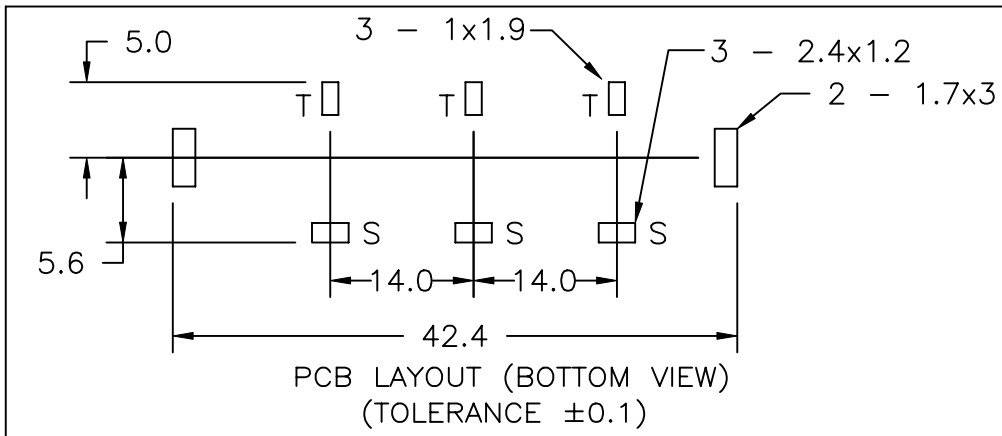
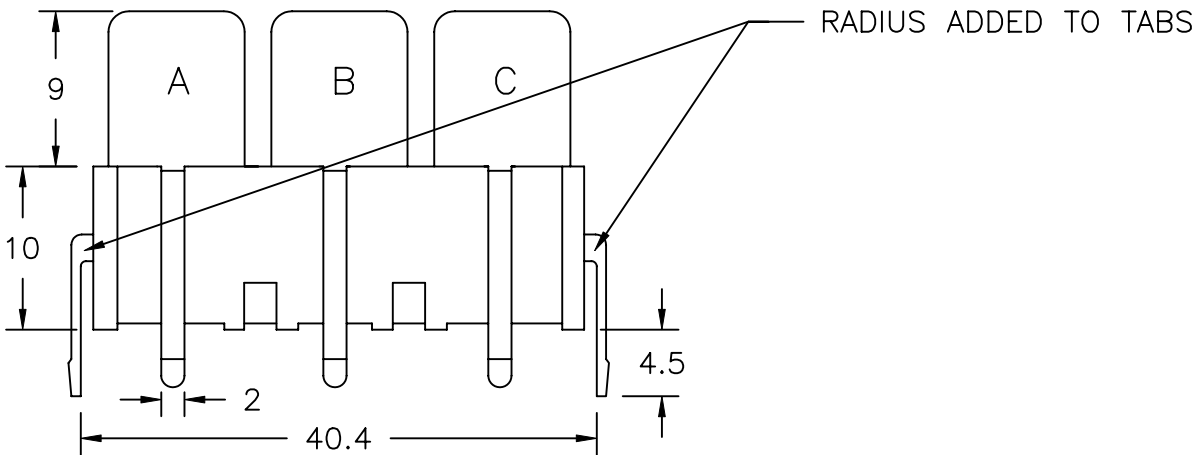
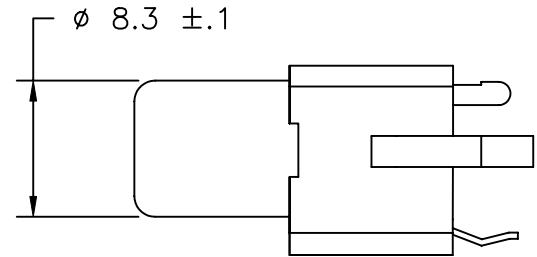
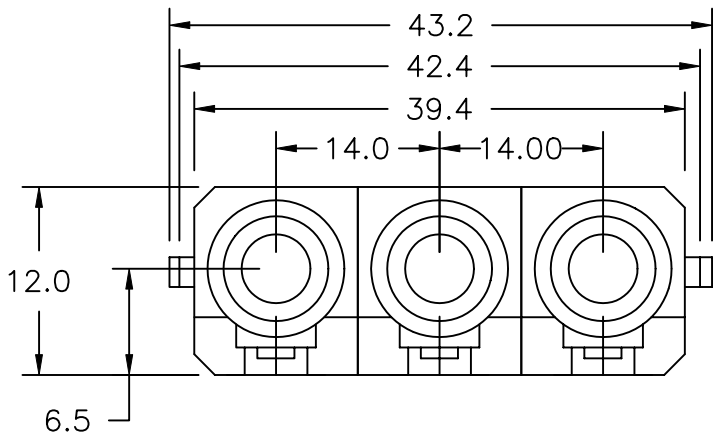


UNLESS OTHERWISE SPECIFIED, ALL DIMENSIONS ARE IN METRIC.

TO 1 DECIMAL PLACE ±.3  
 TO 2 DECIMAL PLACES ±.13  
 AS ANGLES ±1/2°

ISSUE	DATE
B	01/25/01
C	04/25/01
D	04/30/01



NOTE: FIRST 'X' IN PART NO. DENOTES COLOR CODE FOR A.  
 SECOND 'X' IN PART NO. DENOTES COLOR CODE FOR B.  
 THIRD 'X' IN PART NO. DENOTES COLOR CODE FOR C.

4	TIP	BRASS 0.5MM THICK - TIN PLATED
3	SLEEVE	BRASS 0.5MM THICK - TIN PLATED
2	INSULATOR	ABS - UL94HB
1	HOUSING	ABS - UL94HB
ITEM	DESCRIPTION	MATERIAL



TITLE: PHONO JACK

PART NO: SI-378S-XXX

DATE: 07/28/00

DRAWN: RB

CHKD:

SCALE: 2/1

SHEET: 1 OF 2

UNLESS OTHERWISE SPECIFIED, ALL DIMENSIONS ARE IN METRIC.

TO 1 DECIMAL PLACE ±  
TO 2 DECIMAL PLACES ±  
AS ANGLES ±

ISSUE	DATE
B	01/25/01
C	04/25/01
D	04/30/01

### SPECIFICATIONS

#### ELECTRICAL

CONTACT RESISTANCE: 30 MILLIOHMS MAX.  
INSULATION RESISTANCE: 100 MEGOHMS MIN. AT 500 VDC  
DIELECTRIC STRENGTH: 500VAC FOR 1 MINUTE

#### MECHANICAL

INSERTION FORCE: 3.0 Kg MAX.  
WITHDRAWAL FORCE: 0.8 – 3.0 Kg  
LIFE: 5000 CYCLES MIN.

#### COLOR CODE

1 – BLUE	6 – WHITE
2 – RED	7 – GRAY
3 – BLACK	8 – ORANGE
4 – BROWN	9 – YELLOW
5 – GREEN	0 – VIOLET



TITLE: PHONO JACK		PART NO: SI-378S-XXX		
DATE: 07/28/00	DRAWN: RB	CHKD:	SCALE: N/A	SHEET: 2 OF 2