

UNLESS OTHERWISE SPECIFIED, ALL DIMENSIONS ARE IN METRIC.

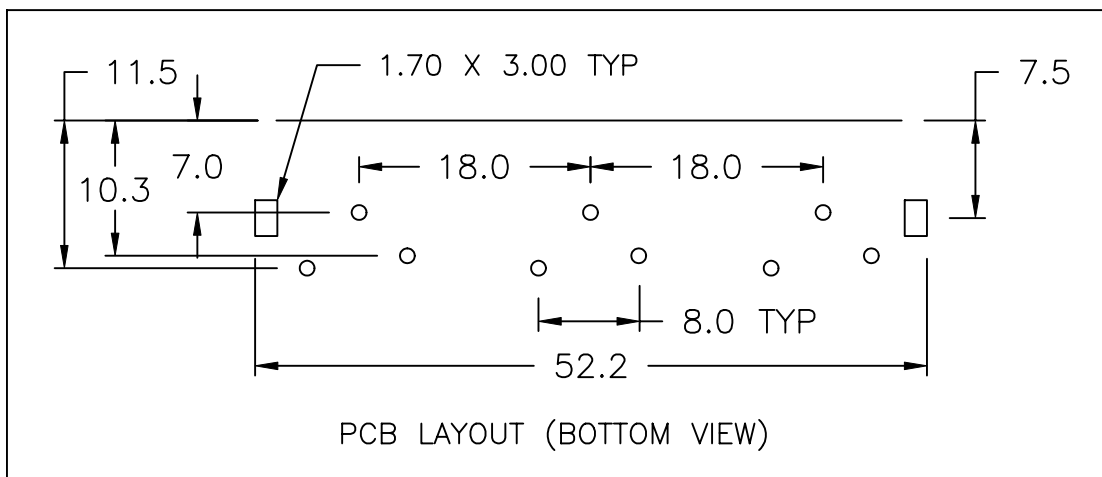
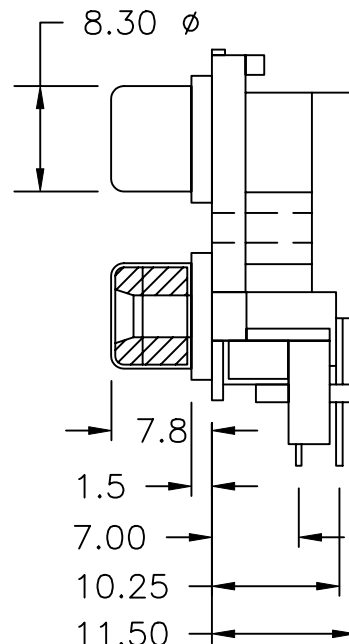
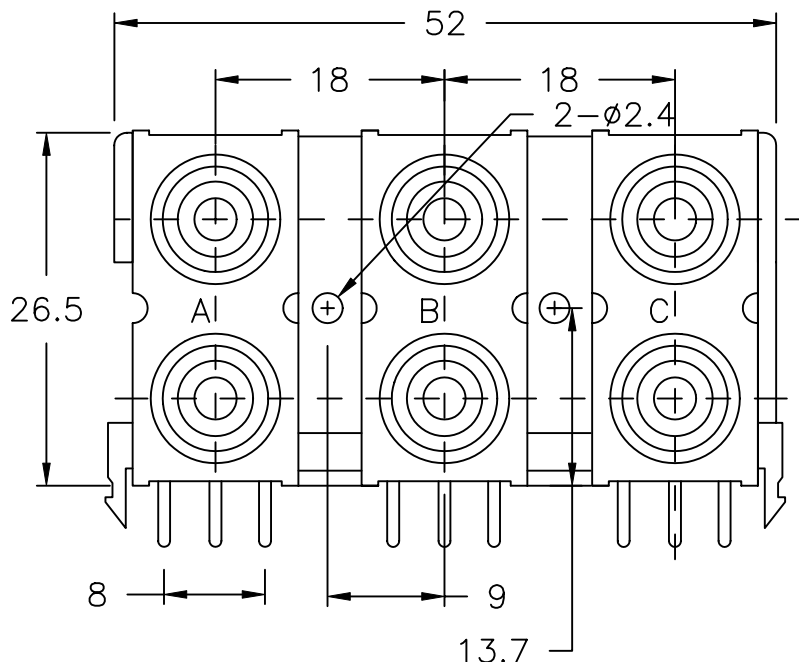
TO 1 DECIMAL PLACE ±.3
 TO 2 DECIMAL PLACES ±.15
 AS ANGLES ±

ISSUE

DATE

A

05/01/03



4	TIP	BRASS 0.5MM THICK - TIN PLATED
3	SLEEVE	BRASS 0.5MM THICK - NICKEL PLATED
2	INSULATOR	ABS - UL94HB
1	HOUSING	ABS - UL94HB
ITEM	DESCRIPTION	MATERIAL

UNLESS OTHERWISE SPECIFIED, ALL DIMENSIONS ARE IN METRIC.

TO 1 DECIMAL PLACE ±
TO 2 DECIMAL PLACES ±
AS ANGLES ±

ISSUE

DATE

A

05/01/03

SPECIFICATIONS

ELECTRICAL:

CONTACT RESISTANCE: 30 MILLIOHMS MAX.
INSULATION RESISTANCE: 100 MEGOHMS MIN. AT 500 VDC
DIELECTRIC STRENGTH: 500VAC FOR 1 MINUTE

MECHANICAL:

INSERTION FORCE: 3.0 Kg MAX.
WITHDRAWAL FORCE: 0.8 – 3.0 Kg
LIFE: 5000 CYCLES MIN.

NOTES:

FIRST 'X' IN PART NO. DENOTES COLOR FOR "A" PORTS
SECOND 'X' IN PART NO. DENOTES COLOR FOR "B" PORTS
THIRD 'X' IN PART NO. DENOTES COLOR FOR "C" PORTS

COLOR CODE:

1 – BLUE	6 – WHITE
2 – RED	7 – GRAY
3 – BLACK	8 – ORANGE
4 – BROWN	9 – YELLOW
5 – GREEN	0 – VIOLET



**SENIOR
INDUSTRIES, INC.**

TITLE:

PHONO JACK

PART NO:

SI-379-XXX

DATE:

02/19/03

DRAWN:

RB

CHKD:

SCALE:

N/A

SHEET:

2 OF 2