

COMPONENT SPECIFICATION

USE OR REPRODUCTION OF THIS DRAWING FOR THE PURPOSE OF MANUFACTURING THIS ARTICLE OR ANY ARTICLES SHOWN FOR ANY PURPOSE IS STRICTLY PROHIBITED WITHOUT WRITTEN PERMISSION FROM SENIOR INDUSTRIES, INC.

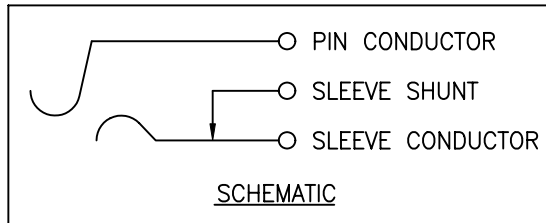
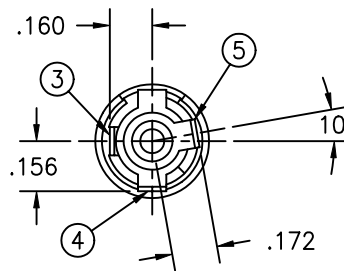
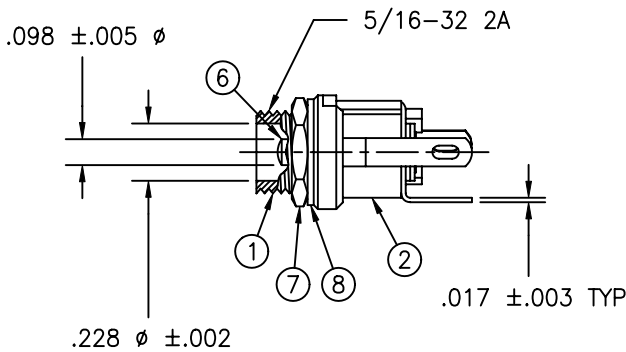
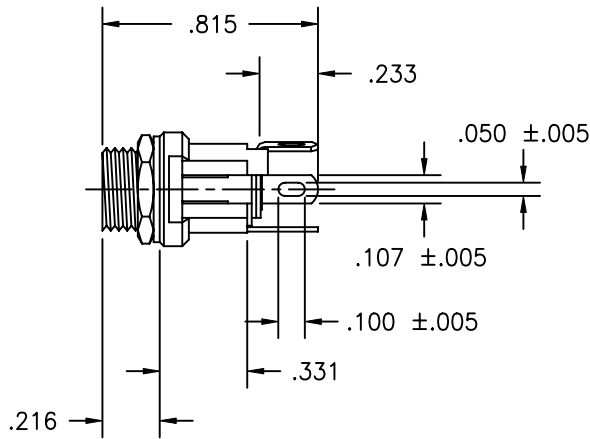
SPECIFICATIONS

ELECTRICAL:

CONTACT RATING: 5A @ 12 VDC
 CONTACT RESISTANCE: 20 MILLIOHMS MAX.
 INSULATION RESISTANCE: 10,000 MEGOHMS MIN. @ 500 VDC
 DIELECTRIC STRENGTH: 500 VAC

MECHANICAL:

OPERATING LIFE: 10,000 INSERTION/WITHDRAWAL CYCLES
 INSERTION FORCE: 0.3 - 3.0 Kg
 WITHDRAWAL FORCE: 0.3 - 3.0 Kg



ITEM	DESCRIPTION	QTY	MATERIAL/FINISH
1	MOUNTING BUSHING	1	BRASS, NICKEL PLATED
2	HOUSING	1	PBT
3	SLEEVE SHUNT TERMINAL	1	PHOSPHOR BRONZE, SILVER PLATED
4	SLEEVE TERMINAL	1	PHOSPHOR BRONZE, SILVER PLATED
5	PIN TERMINAL	1	BRASS, SILVER PLATED
6	PIN	1	BRASS, NICKEL PLATED
7	HEX NUT 5/16-32	1	BRASS, NICKEL PLATED
8	FLAT WASHER	1	STEEL, NICKEL PLATED



SENIOR INDUSTRIES, INC.

DESIGNED:	DRAWN:	CHECKED:	APPROVED:	SYM.	DATE:	DESCRIPTION OF REVISIONS:	DRAWN:	APPD:
	GAM	GAT	JF	▲	03.23.94	SR1112 Note, Corr PCB & Term spacing to .156	JF	JF
				▲	06.01.94	Terms&Springs Plating corr to Ag; Hole ø to .228	JF	JF
				▲	08.08.05	New Index, Spec added, Mat corr from ABS to PBT	GAT	JF
				▲	.	.		
				▲	.	.		

TOLERANCE:	PART NO:	SI-502
TO 2 DECIMAL PLACE: ±	TITLE:	DC POWER JACK
TO 3 DECIMAL PLACES: ±.015	SHEET:	1 OF 1
AS ANGLES: ±1/2°		

3RD ANGLE	UNIT:	inches	SCALE:	2:1	REV.	D
-----------	-------	--------	--------	-----	------	---