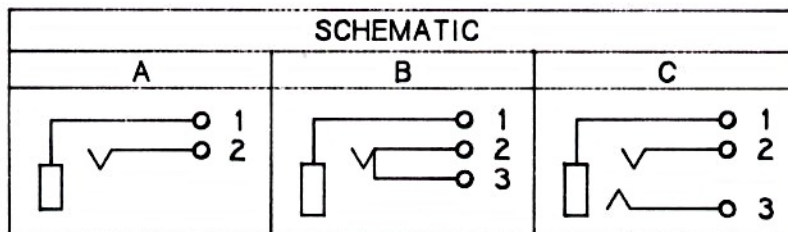
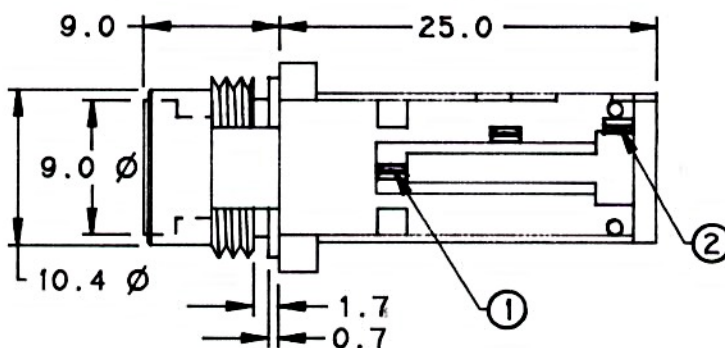
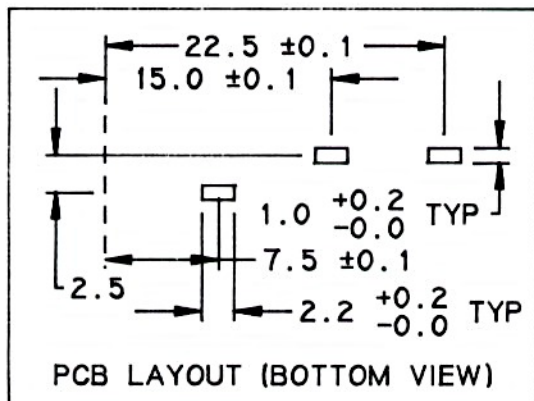
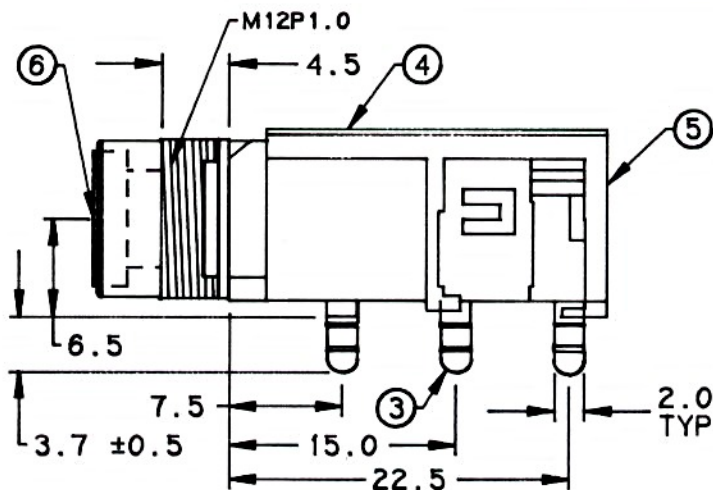
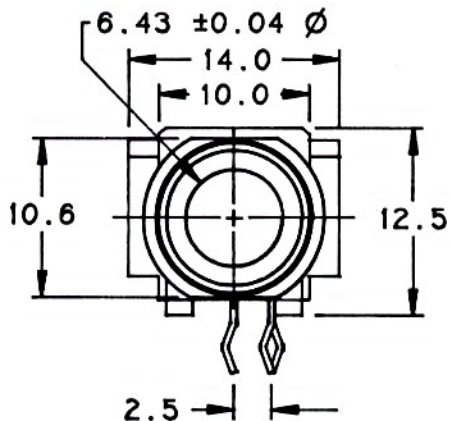


UNLESS OTHERWISE SPECIFIED, ALL DIMENSIONS ARE IN METRIC.

TO 1 DECIMAL PLACE ±.3
 TO 2 DECIMAL PLACES ±.15
 AS ANGLES ±

ISSUE	DATE
B	03/23/97
C	07/01/98



6	BUSHING	BRASS - NICKEL PLATED
5	COVER	PBT - UL94V-0, BLACK
4	HOUSING	PBT - UL94V-0, BLACK
3	SHUNT	.3 BRASS - SILVER PLATED
2	TIP	.4 PHOSPHOR BRONZE - SILVER PLATED
1	SLEEVE	.3 PHOSPHOR BRONZE - SILVER PLATED
ITEM	DESCRIPTION	MATERIAL/FINISH



TITLE: HEADPHONE JACK		PART NO: SI-506-X	
DATE: 03/05/97	DRAWN: HV	CHKD:	SCALE: 2/1 SHEET: 1 OF 1